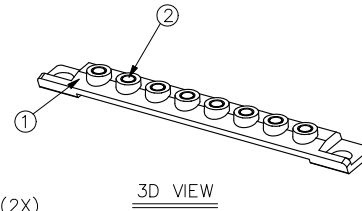
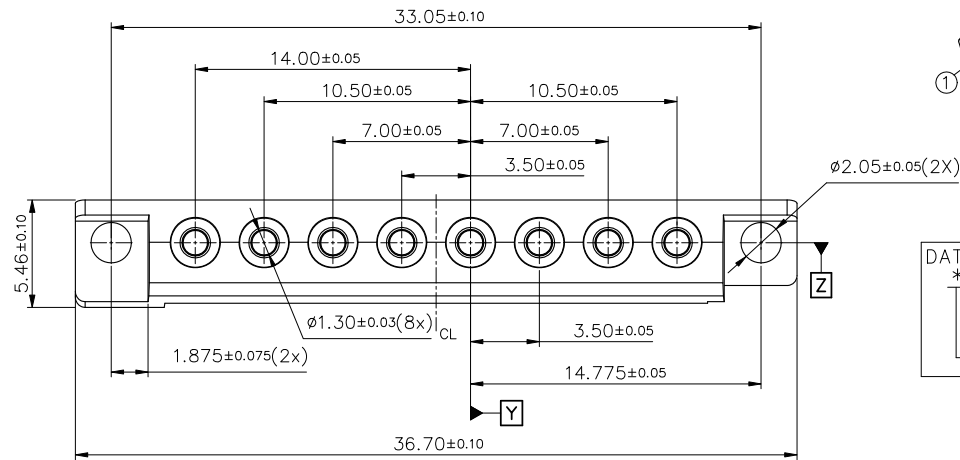


AUTOCAD GENERATED DRAWING, DON'T CHANGE BY HAND

RoHS HF

REV.	ECN. NO.	APPD.
A	ECN190510009	River
B	ECN190819005	River



3D VIEW

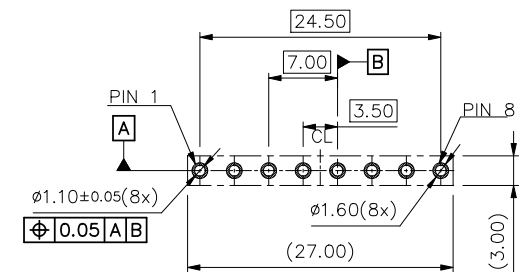
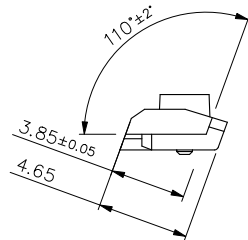
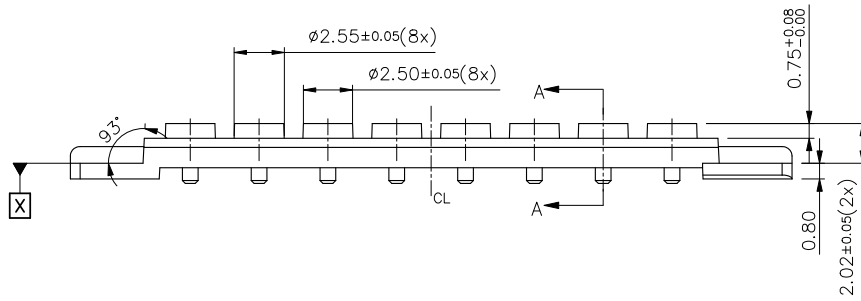
DATE CODE
 * **
 WEEK(01=1st WEEK
 02=2nd WEEK)
 YEAR(6=2016 7=2017 ...)

NOTES:

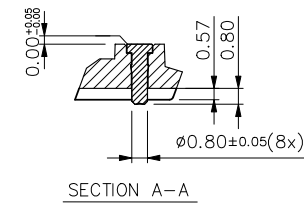
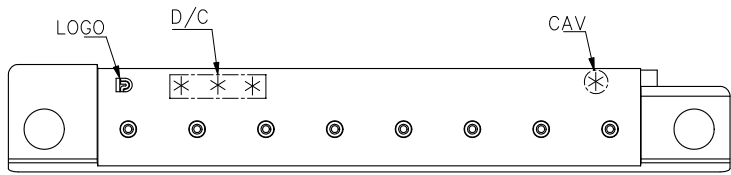
- ELECTRICAL CHARACTERISTICS:
 1-1.EACH CONTACT CURRENT RATING: 2.0A MAX.
 1-2.CONTACT RESISTANCE: 100mΩ MAX.
 1-3.INSULATION RESISTANCE: 100 MΩ MIN.
 1-4.WITHSTANDING VOLTAGE: 250 V AC.
- MECHANICAL SPECIFICATION:
 DURABILITY: 7000 CYCLES.
- FINISHED:
 5u" Pd/Ni MIN PLATING ON CONTACT AREA.
 50u" MIN Ni UNDER PLATING OVER ALL.
- ENVIRONMENT SPECIFICATION:
 OPERATING TEMPERATURE: -40°C TO +85°C
- DIMENSIONS SHALL BE INTERPRETED PER ASME Y14.5M-1994
- HARMFUL MATERIAL CONTROL PLEASE MEET DRAPHO DOCUMENT "DQSP2014"

POR08 5 - C110C - 1H
 PO: POGO
 R: RECEPTACLE
 08: 8POS
 5: 5u"Min.Pd/Ni PLATING
 C: 3.50mm PITCH
 H: HALOGEN FREE & LEAD FREE
 1: TAPE AND REEL
 C: THE NEXT GENERATION
 0: DIP TYPE
 1: Mg Flat
 1: 1ROWS

DEFORMATION DIRECTION ONLY 0.08MAX.



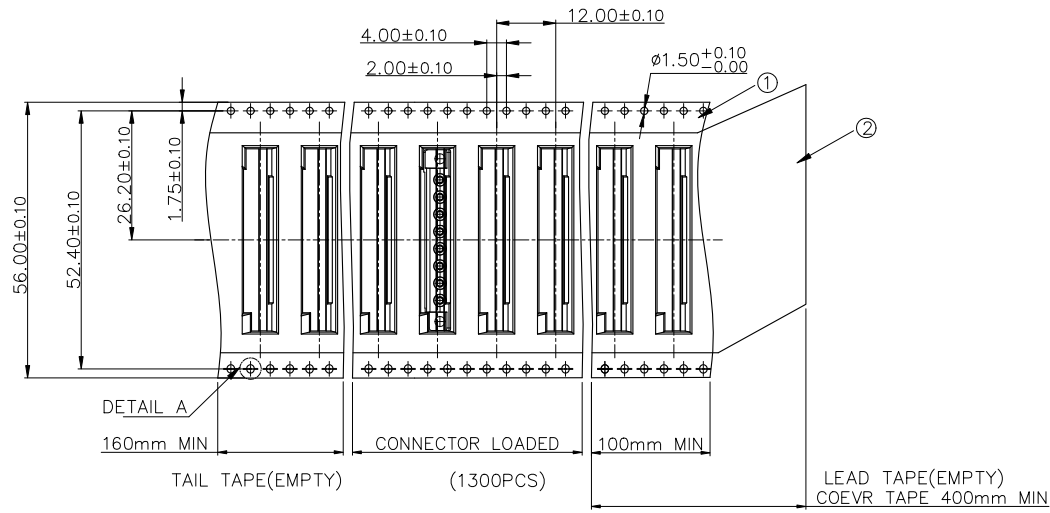
RECOMMEND FPC LAYOUT (TOLERANCE: ±0.05mm)
 RECOMMEND FPC THICKNESS IS 0.20mm



2	CONTACT	8	BRASS	COLOR NAME: CHROME
1	HOUSING	1	STANYL HFX61S GY71006	COLOR NAME: MgFlat(VDI21) (L*=70.76±0.5, a*=0.1±0.5, b*=-0.72±0.5)
ITEM	DESCRIPTION	Q'TY	MATERIAL	FINISH
UNITS: mm	GENERAL TOLERANCE	APPROVED: River		PART NO.: POR085-C110C-1H
DATE: 08/19'19	.X ±0.50 .X ±0.30 .XX ±0.20	CHECKED: Wes Wu		TITLE: CUSTOMER DRAWING FOR 3.50 PITCH 8PIN POGO PIN REC
SCALE: N/A		DRAWING: Fei Liu		DRAWING NO.: 820-0000-0775
SHEET: 1/2	MATERIAL: N/A	Q'TY: N/A	Highstar	
REV: B	FINISH: N/A	Drapho ELECTRONICS TECHNOLOGY CO., LTD		

REV.	ECN. NO.	APPD.

RoHS HF

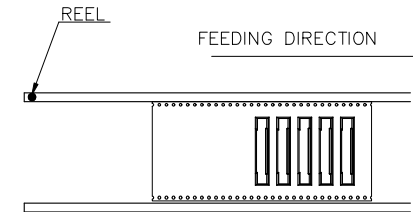
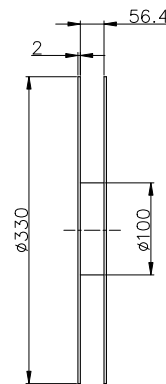
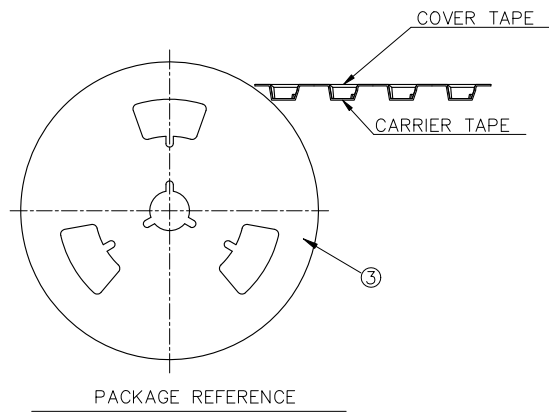
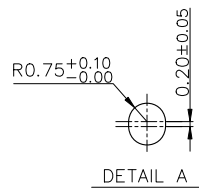


- NOTES:
 1.10 PITCHES CUMULATIVES TOLERANCE ON TAPE IS +/-0.20mm;
 2.COVER TAPE PEELING STRENGTH : 0.01~0.15Kgf;
 3.THE COVER TAPE SHALL BE PULLED WITH A VELOCITY OF 100mm~300mm/MINUTE TO CARRIER TAPE;



4.PACKAGING CAPACITY:

P/N	PCS/REEL	REEL/BOX	PCS/BOX
POR085-C110C-1H	1300	5	6500



③	REEL	POLYSTYRENE
②	COVER TAPE	POLYSTER
①	CARRIER TAPE	POLYSTYRENE
ITEM	DESCRIPTION	MATERIAL

UNITS: mm	GENERAL TOLERANCE		APPROVED: River	PART NO.: POR085-C110C-1H
DATE: 08/19'19	X. ±0.50 .X ±0.30 .XX ±0.20	X.* ±3° .X.* ±2°	CHECKED: Wes Wu	TITLE: CUSTOMER DRAWING FOR 3.50 PITCH 8PIN POGO PIN REC
SCALE: N/A	MATERIAL: N/A	Q'TY N/A	DRAWING: Fei Liu	DRAWING NO.: 820-0000-0775
SHEET: 2/2	FINISH: N/A	④	Highstar	
REV. B	D Drapho ELECTRONICS TECHNOLOGY CO., LTD			