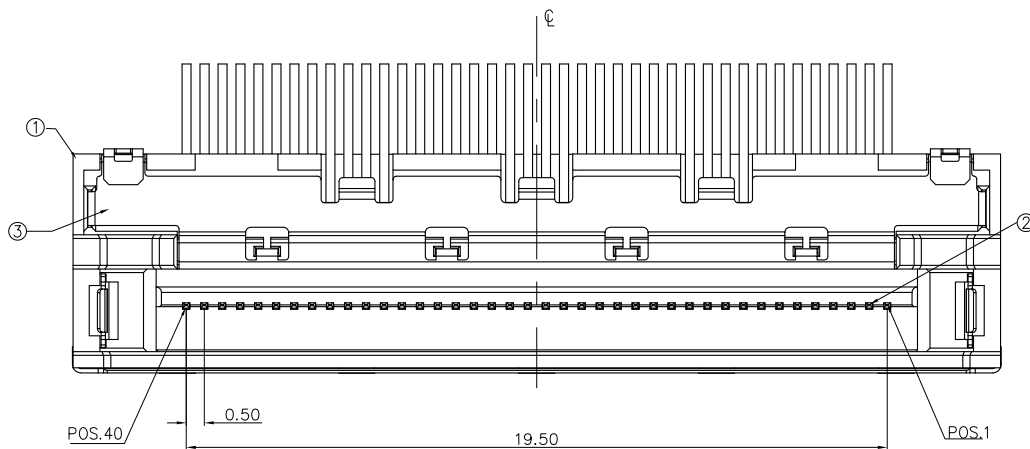
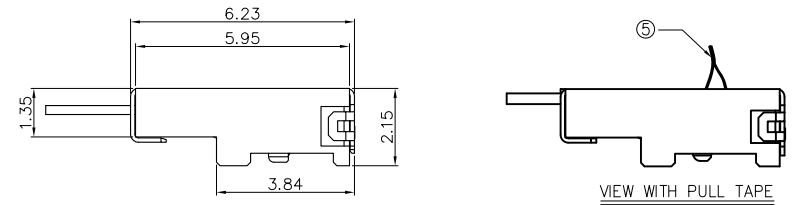
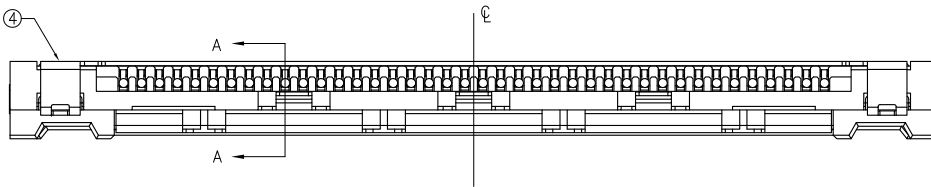
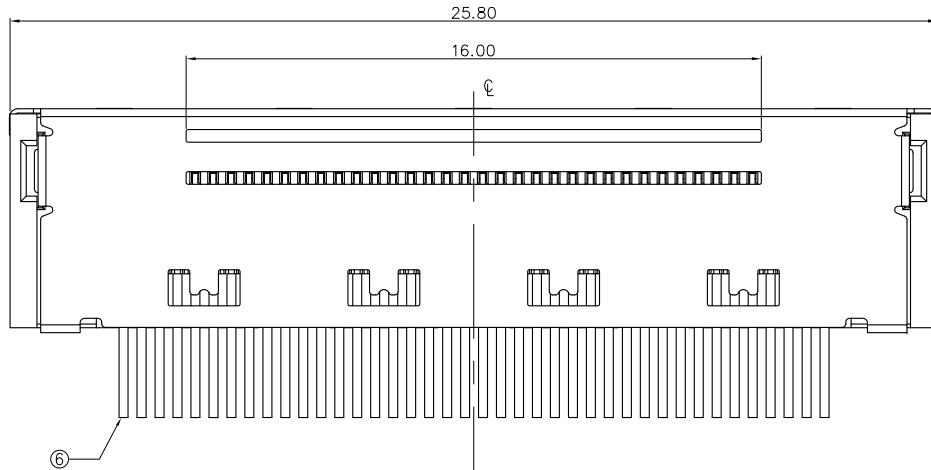


AUTOCAD GENERATED DRAWING, DON'T CHANGE BY HAND.

REV.	ECN. NO.	APPD.
A	ECN141106012	Fan.Fang
B	ECN170318029	Tommy Zhang

- NOTES:  
 1.DIMENSION SHALL BE INTERPRETED PER ASME Y14.5M-1994;  
 2.ELECTRICAL PERFORMANCES:  
 2-1.LOW LEVEL CONTACT RESISTANCE: 70MΩ MAX, INITIAL;  
 Δ=40MΩ MAX , FINAL.  
 2-2.INSULATION RESISTANCE: 1000 MΩ MIN,INITIAL.  
 2-3.DIELECTRIC WITHSTANDING VOLTAGE:  
 250VAC RMS FOR 1 MINUTE BETWEEN ADJACENT CONTACTS;  
 3.RATINGS:  
 3-1.VOLTAGE: 100 V AC/ CONTACT  
 3-2.CURRENT RATING:  
 0.3A AC/DC\ [AWG#40] PER CONTACT  
 0.6A AC/DC\ [AWG#38] (PER CONTACT)  
 0.8A AC/DC\ [AWG#36] (PER CONTACT)  
 1.0A AC/DC\ [AWG#32~#34] (PER CONTACT)  
 4.MECHANICAL PERFORMANCES:  
 4-1.DURABILITY: 30 CYCLES;  
 5.HARMFUL MATERIAL CONTROL SHOULD MEET DOCUMENT "DQSP2014" ;  
 6.BURR SHOULD BE LESS THAN 0.05MM.



WH12401-S2212-HF  
 PITCH: 1=0.5mm  
 POS.NO.: 40=40POS.  
 CONTACT AREA PLATING: 1=5u" MIN. GOLD PLATING  
 PROFILE HEIGHT: 21=2.15mm  
 HALOGEN FREE & LEAD FREE  
 PACKAGE CODE: 2=Tray

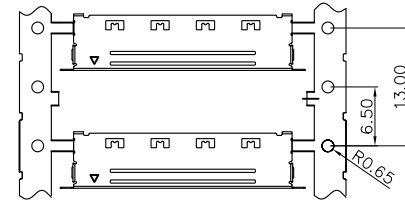
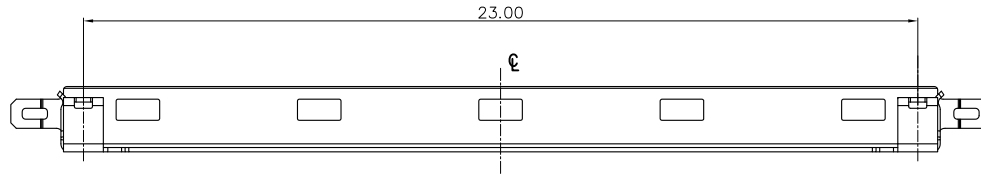
⑥	WIRE	1	N/A	N/A
⑤	PULL TAPE	1	N/A	N/A
④	TOP SHELL	1	SEE SHEET 2/3	070-03C1-040
③	BOTTOM SHELL	1	SEE SHEET 3/3	
②	CONTACT	40	SEE SHEET 3/3	SEMI-PRODUCT 810-0401-0200
①	HOUSING	1	SEE SHEET 3/3	

UNITS: mm	GENERAL TOLERANCE	APPROVED: Tommy Zhang	PART NO.(INTENDED USE) WH12401-S2212-HF
DATE: 03/18'17	X. : ±0.30 .X : ±0.20 .XX : ±0.15 .XXX: ±0.10	CHECKED: Mike.Wu	TITLE: CUSTOMER DRAWING
SCALE: N/A	.XX : ±0.15 .XXX: ±0.10	DRAWING: Jinping bao	DRAWING NO.: 820-0000-0200
SHEET: 1/4	MATERIAL:	Q'TY	Highstar
REV.: B	FINISH:	④ ⑤	Drapho ELECTRONICS TECHNOLOGY CO., LTD

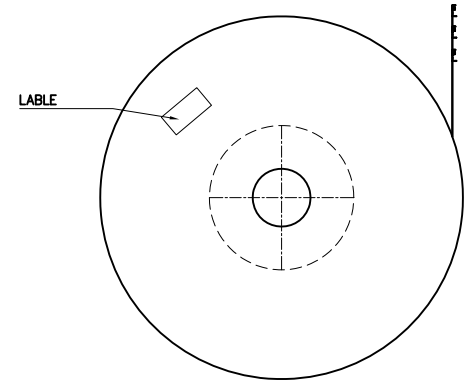
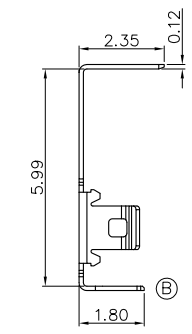
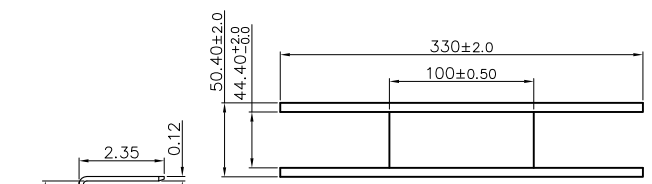
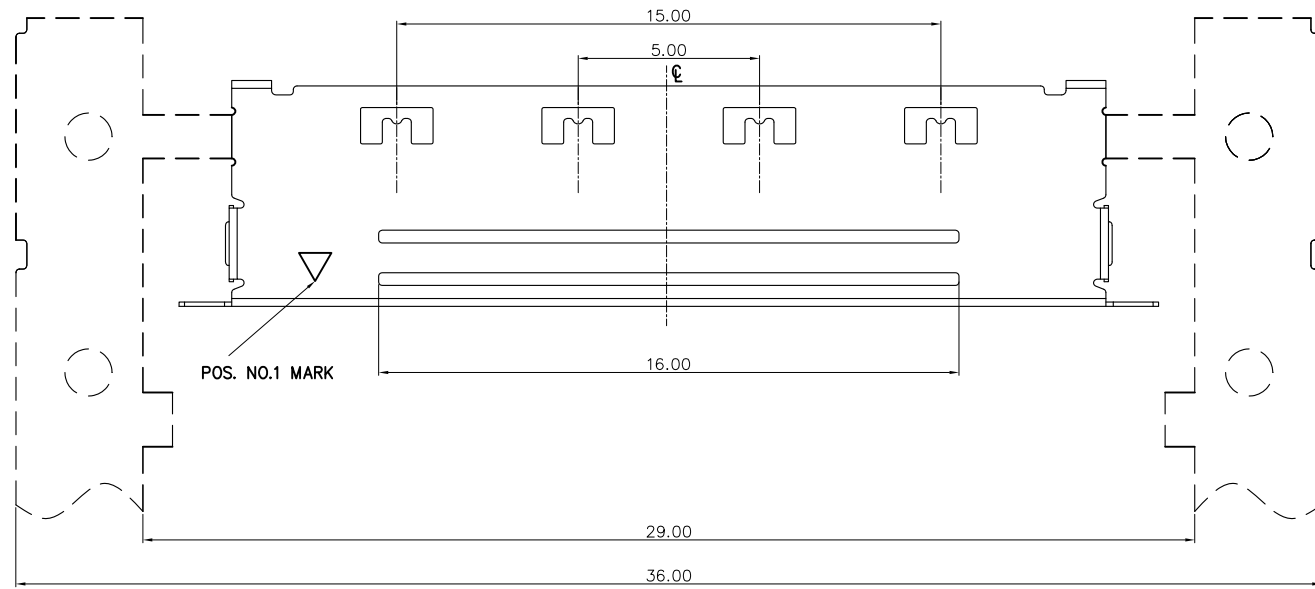


AUTOCAD GENERATED DRAWING, DON'T CHANGE BY HAND.

REV.	ECN. NO.	APPD.

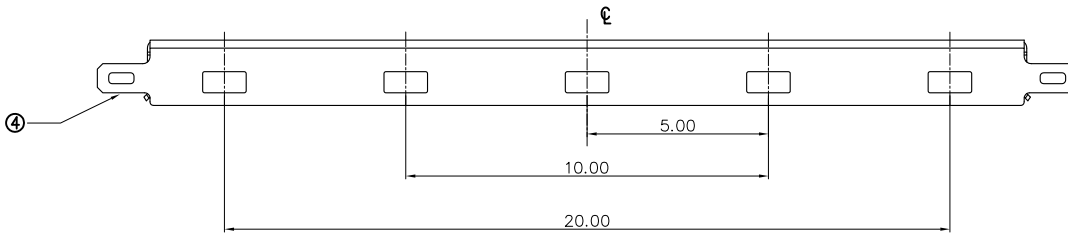


WITH STRIP VIEW  
SCALE 1:4



070-0 3 C 1- 040  
MATTE TIN PLATING

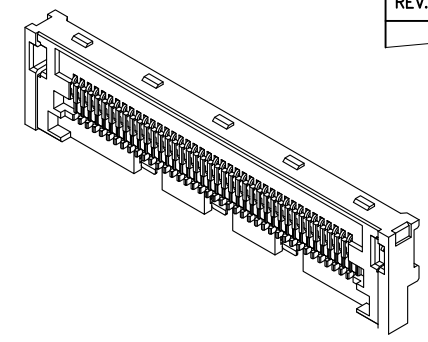
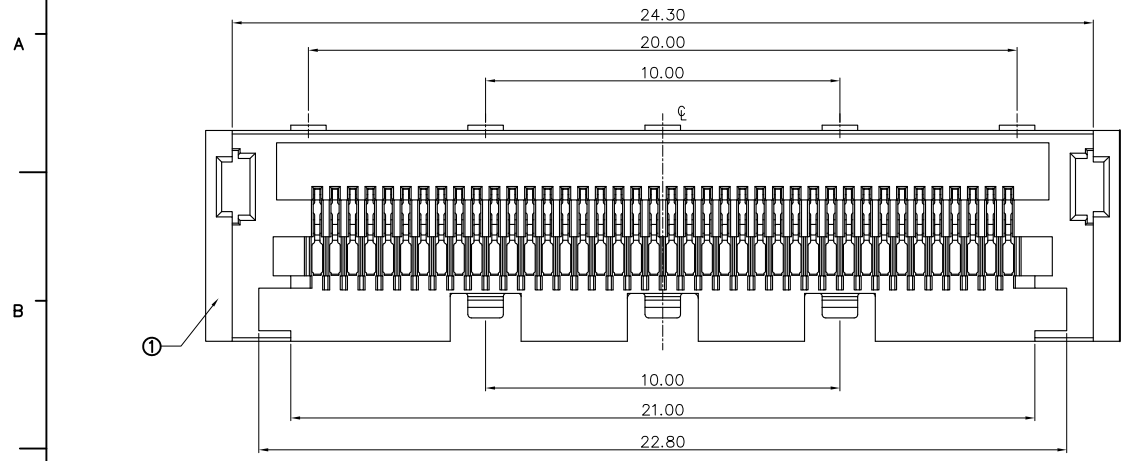
P/N	PCS/REEL	PCS/BOX
070-03C1-040	1000	6000



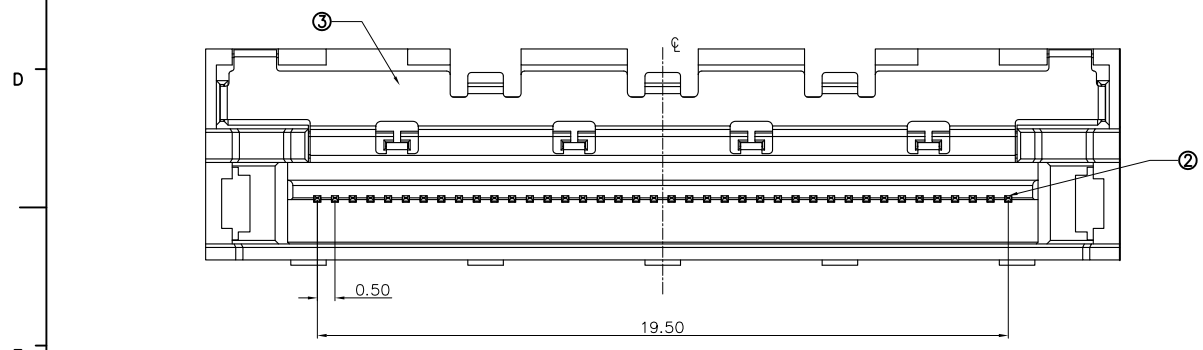
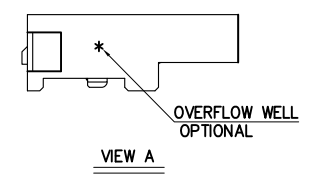
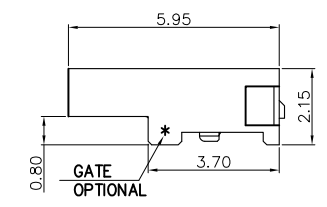
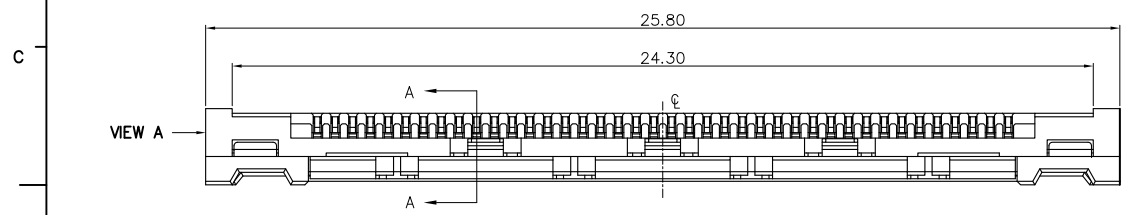
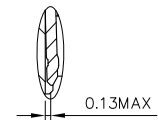
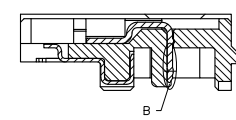
④	TOP SHELL	1	STAINLESS STEEL	100u" MIN. PURE TIN PLATING OVER 50u" MIN. NICKEL
ITEM	DESC.	Q'TY	MATERIAL	TREATMENT
UNITS:	GENERAL TOLERANCE		APPROVED:	PART NO.(INTENDED USE)
mm			Tommy Zhang	WH12401-S2212-HF
DATE:	X. : ±0.30	X.* : ±2*	CHECKED:	TITLE:
03/18'17	.X : ±0.20	.X* : ±1*	Mike.Wu	CUSTOMER DRAWING
SCALE:	.XX : ±0.15	.XX* : ±0.15	DRAWING:	DRAWING NO.:
N/A	.XXX : ±0.10	.XXX* : ±0.10	Jinping bao	820-0000-0200
SHEET:	MATERIAL:	Q'TY	Highstar Drapho ELECTRONICS TECHNOLOGY CO., LTD	
2/4				
REV.:	FINISH:			
B				

AUTOCAD GENERATED DRAWING, DON'T CHANGE BY HAND.

REV.	ECN. NO.	APPD.



810-0401-0200  
POS.NO.:  
40=40POS.



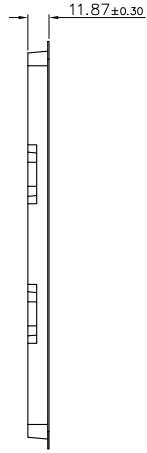
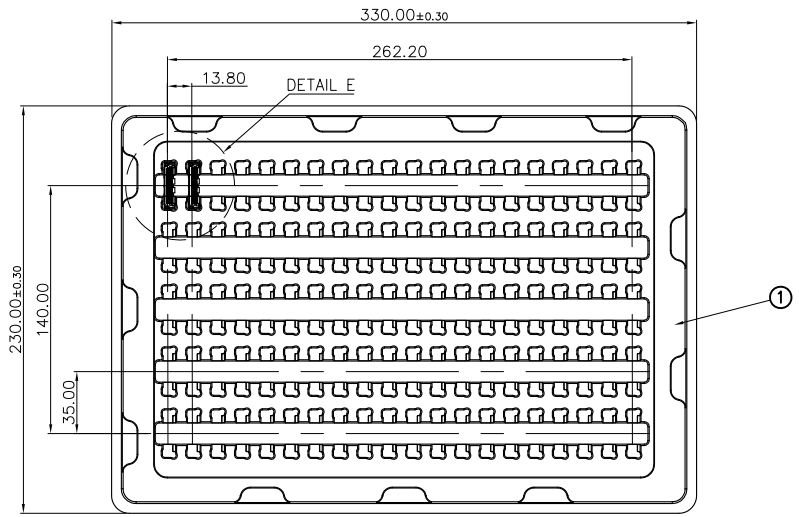
③	BOTTOM SHELL	1	STAINLESS STEEL	100u" MIN. PURE TIN PLATING OVER 50u" MIN. NICKEL
②	CONTACT	40	COPPER ALLOY	50u" MIN.NICKEL UNDER PLATING; 5u" MIN.GOLD PLATING ON CONTACT AREA; GOLD FLASH ON SOLDER AREA.
①	HOUSING	1	THERMOPLASTIC	LCP,UL94V-0, BLACK

ITEM	DESC.	Q'TY	MATERIAL	TREATMENT
UNITS: mm		GENERAL TOLERANCE		APPROVED: Tommy Zhang
DATE: 03/18'17		X. :±0.30 X.' :±2" .X :±0.20 .X' :±1"		CHECKED: Mike.Wu
SCALE: N/A		.XX :±0.15 .XX* :±1" .XXX:±0.10 .XXX*		DRAWING: Jinping bao
SHEET: 3/4		MATERIAL: Q'TY		PART NO.(INTENDED USE) WH12401-S2212-HF
REV.: B		FINISH:		TITLE: CUSTOMER DRAWING
				DRAWING NO.: 820-0000-0200
				Highstar
				Drapho ELECTRONICS TECHNOLOGY CO., LTD

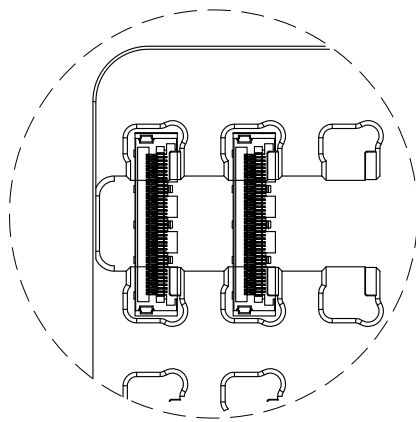


AUTOCAD GENERATED DRAWING, DON'T CHANGE BY HAND.

REV.	ECN. NO.	APPD.



P/N	PCS/TRAY	TRAY/BOX	PCS/BOX
810-0401-0200	100	50	5000



DETAIL E  
SCALE 4:1



①	TRAY	PET
ITEM	DESC.	MATERIAL

UNITS: mm	GENERAL TOLERANCE	APPROVED: Tommy Zhang	PART NO.(INTENDED USE) WH12401-S2212-HF
DATE: 03/18'17	X. :±0.30 .X :±0.20 .XX :±0.15 .XXX:±0.10	CHECKED: Mike.Wu	TITLE: CUSTOMER DRAWING
SCALE: N/A	X.* :±2' .X.* :±1' .XX* .XXX*	DRAWING: Jinping bao	DRAWING NO.: 820-0000-0200
SHEET: 4/4	MATERIAL:	Highstar Drapho ELECTRONICS TECHNOLOGY CO., LTD	
REV.: B	FINISH:		