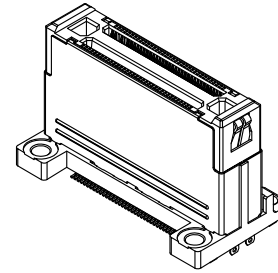
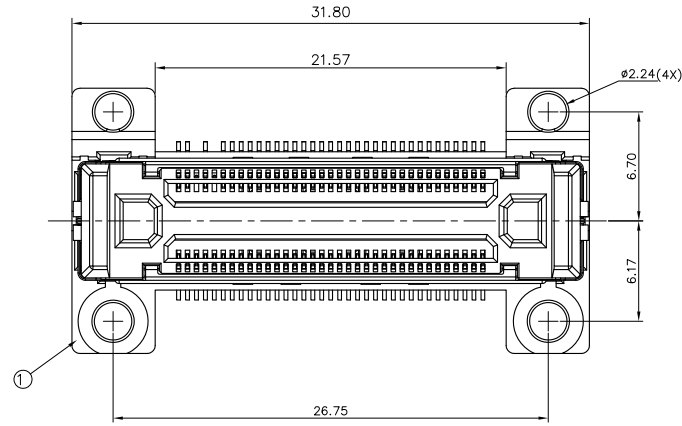
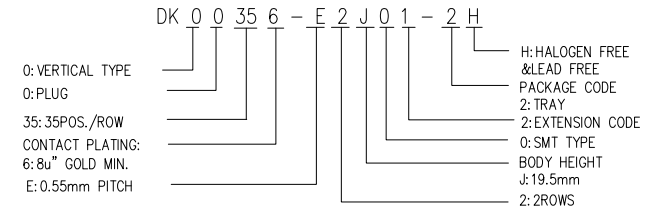
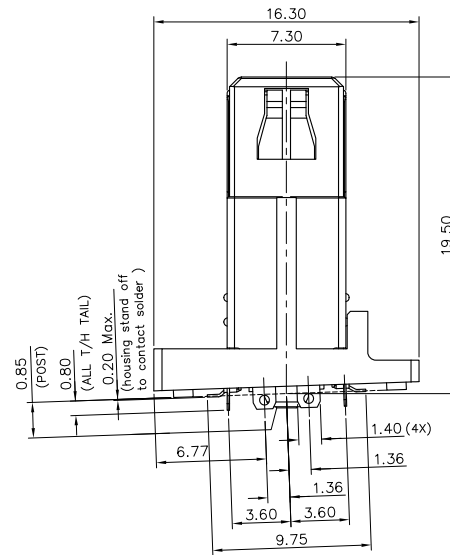
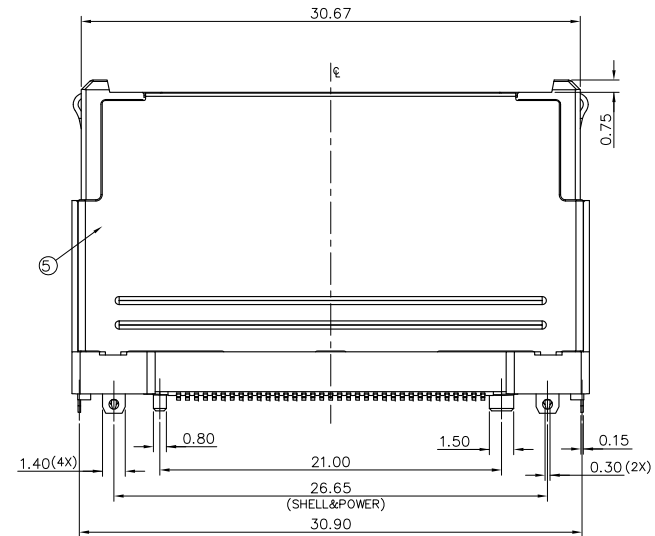


REV.	ECN. NO.	APPD.
A	ECN140116002	Fan Fang
B	ECN140312004	Fan Fang
C	ECN141022002	Fan Fang
D	ECN151010014	Fan Fang
E	ECN161227003	Fan Fang



- NOTES:
- MATERIAL: SEE TABLE.
 - ELECTRICAL PERFORMANCES:
 - VOLTAGE RATINGS: 25V DC MAX.
 - CURRENT RATING:
 - 0.5A MAX. PER DETECT AND SIGNAL CONTACT
 - 10A MAX. PER POWER CONTACT.
 - LOW LEVEL CONTACT RESISTANCE:
 - SIGNAL CONTACT 70m Ω MAX. INITIAL, $\Delta R=25m\Omega$ MAX, FINAL.
 - INSULATION RESISTANCE: 500 M Ω MIN.
 - DIELECTRIC WITHSTANDING VOLTAGE:
 - SUBJECT A VOLTAGE OF 100V AC FOR 1 MINUTE BETWEEN ADJACENT CONTACTS;
 - MECHANICAL PERFORMANCES:
 - MATING FORCE: 3.0Kgf MAX.
 - UNMATING FORCE: 0.2Kgf MIN.
 - DURABILITY: 10000 CYCLES.
 - G.P PASSED ACCORD WITH RoHS STANDARD
 - CHLORINE(Cl): 900ppm MAX.
 - BROMINE(Br): 900ppm MAX.
 - CHLORINE(Cl)&BROMINE(Br): 1500ppm MAX.
 - HARMFUL MATERIAL MEET THE DOCUMENT "DSQC0042".



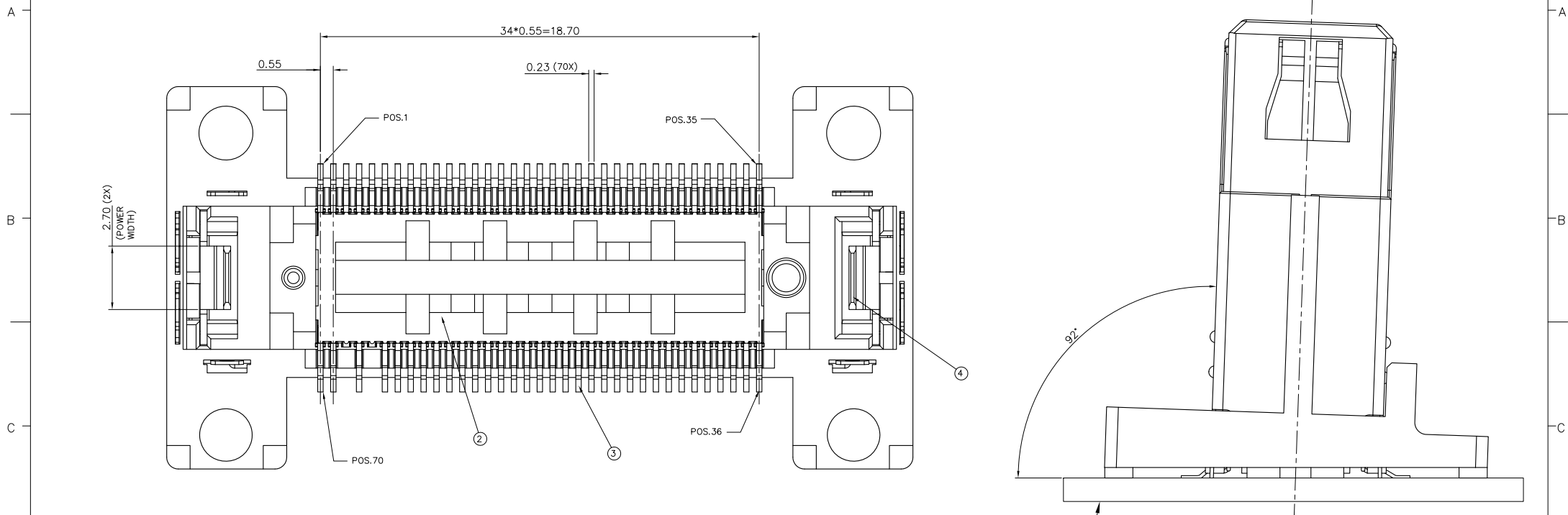
VIEW M



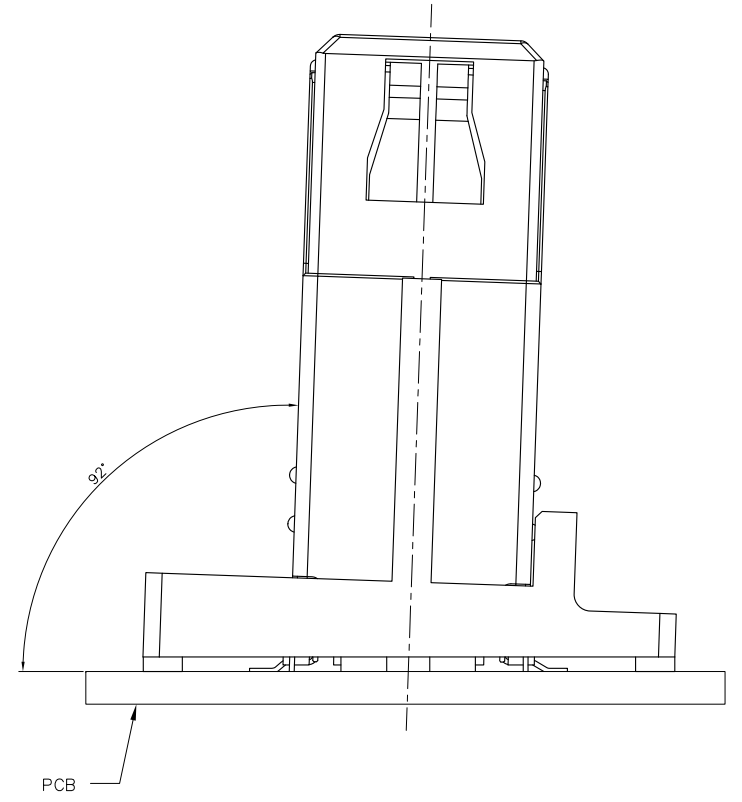
5	SHELL	STAINLESS STEEL	SOLDERABLE NICKEL OVER ALL.	
4	POWER CONTACT	COPPER ALLOY	NICKEL UNDER PLATED OVER ALL. GOLD PLATING ON CONTACT AREA. GOLD FLASH ON SOLDER AREA FOR SIGNAL TIN PLATING ON SOLDER AREA FOR POWER.	
3	SIGNAL CONTACT			
2	SPACER	HIGHTEMP-PLASTIC	UL94V-0	
1	HOUSING			
ITEM	NAME	MATERAIL	FINISH	REMARK

UNITS: mm	GENERAL TOLERANCE	APPROVE: Fan Fang	PART NO.: DK00356-E2J01-2H
DATE: 12/27'16	X. ± 0.50 .X ± 0.30 SCALE: .XX ± 0.20 N/A .XXX ± 0.10	X.* $\pm 5^*$.X* $\pm 3^*$	TITLE: CUSTOMER DRAWING
SHEET: 1/4	MATERIAL: N/A	Q'TY: N/A	DRAWING NO.: 820-0000-103
REV. E	FINISH: N/A		Highstar Drapho ELECTRONICS TECHNOLOGY CO., LTD

REV.	ECN. NO.	APPD.




VIEW M

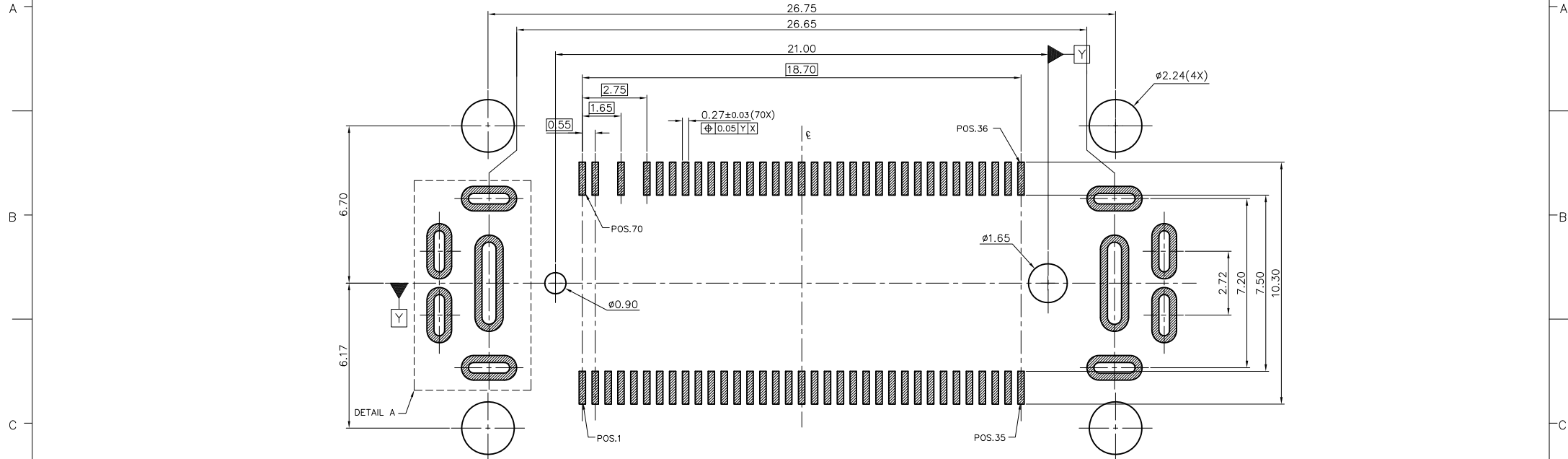


PCB MOUNTED CONDITION
(REFERENCE)

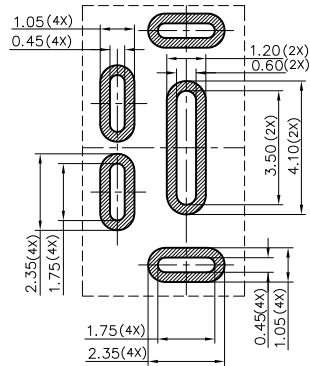


UNITS: mm	GENERAL TOLERANCE		APPROVE: Fan Fang	PART NO.: DK00356-E2J01-2H
DATE: 12/27'16	X. ±0.50 .X ±0.30 SCALE: N/A	X." ±5" .X" ±3"	CHECKED: Mike Wu	TITLE: CUSTOMER DRAWING
SHEET: 2/4	MATERIAL: N/A	Q'TY N/A	DRAW: Alpenglow Zhao	DRAWING NO.: 820-0000-103
REV. E	FINISH: N/A	⊕	 Highstar Drapho ELECTRONICS TECHNOLOGY CO., LTD	

REV.	ECN. NO.	APPD.



RECOMMENDED PCB LAYOUT
PCB THICKNESS 1.0±0.05

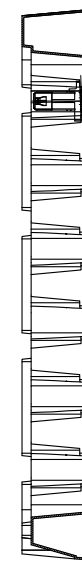
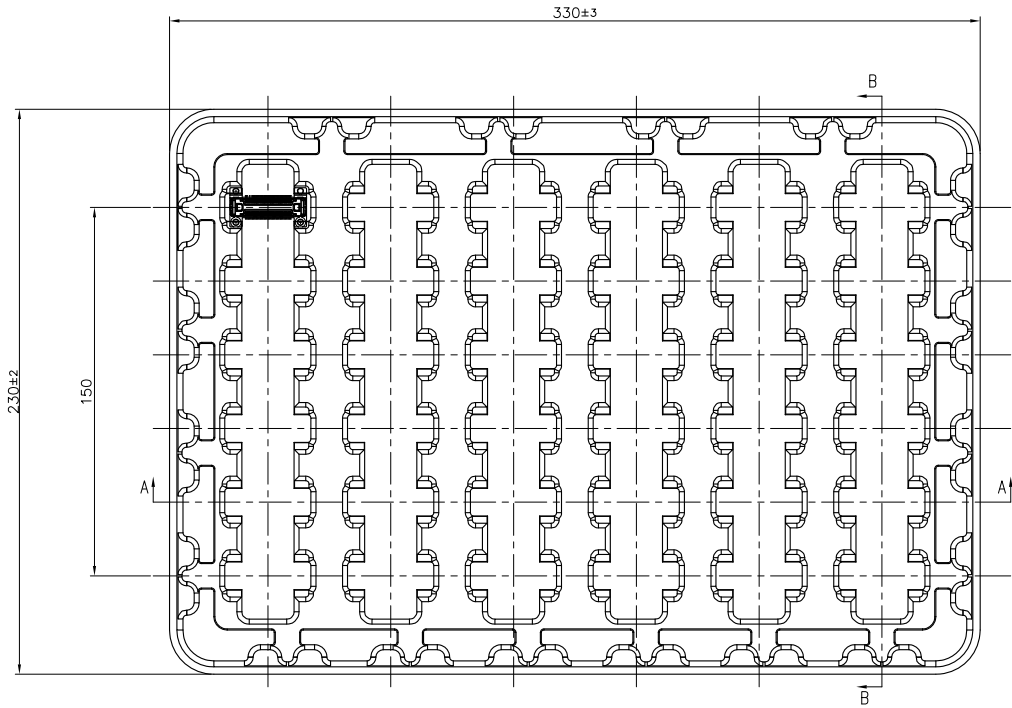


DETAIL A

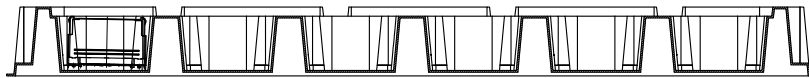


UNITS: mm	GENERAL TOLERANCE	APPROVE: Fan Fang	PART NO.: DK00356-E2J01-2H
DATE: 12/27*16	X. ±0.15 .X ±0.10	X.* ±5° .X* ±3°	CHECKED: Mike Wu
SCALE: N/A	.XX ±0.05 .XXX ±0.05		TITLE: CUSTOMER DRAWING
SHEET: 3/4	MATERIAL: N/A	Q'TY N/A	DRAW: Alpenglow Zhao
REV. E	FINISH: N/A		DRAWING NO.: 820-0000-103
		 Highstar Drapho ELECTRONICS TECHNOLOGY CO., LTD	

REV.	ECN. NO.	APPD.



SECTION B-B




SECTION A-A

MATERIAL:HIPS t=0.8mm, COLOR:NATURAL

PACKAGING CAPACITY:

P/N	PCS/TRAY	TRAY/BOX	PCS/BOX
DK00356-E2J01-2H	36	6	216

UNITS: mm	GENERAL TOLERANCE		APPROVE: Fan Fang	PART NO.: DK00356-E2J01-2H
DATE: 12/27'16	X. ±0.50 .X ±0.30	X.* ±5* .X* ±3*	CHECKED: Mike Wu	TITLE: CUSTOMER DRAWING
SCALE: N/A	.XX ±0.20 .XXX ±0.10		DRAW: Alpenglow Zhao	DRAWING NO.: 820-0000-103
SHEET: 4/4	MATERIAL: N/A	Q'TY N/A	 Highstar Drapho ELECTRONICS TECHNOLOGY CO., LTD	
REV. E	FINISH: N/A	