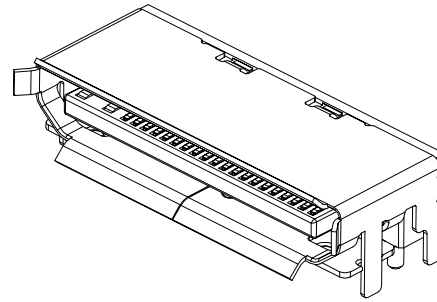
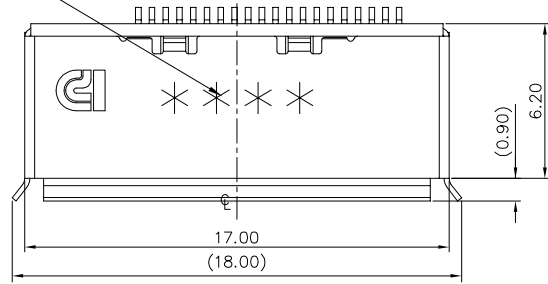


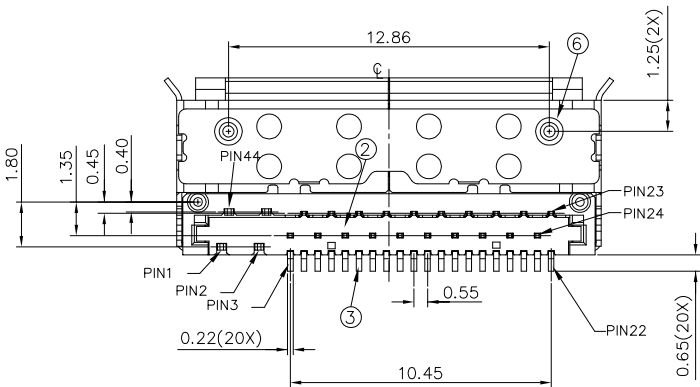
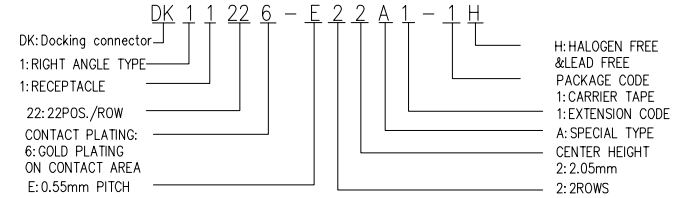
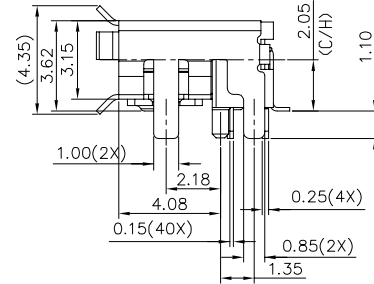
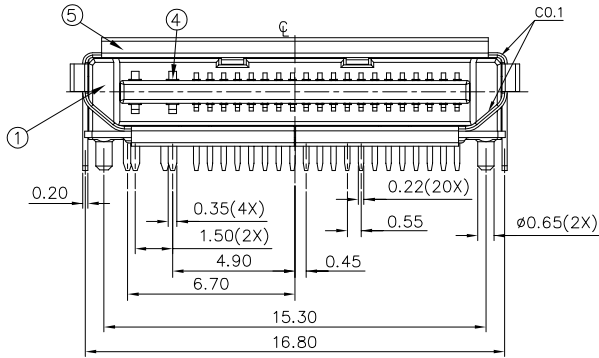
REV.	ECN. NO.	APPD.
A	ECN150720006	Fan Fang
B	ECN150918018	Fan Fang
C	ECN151103019	Fan Fang

D/C Spec:



NOTES:

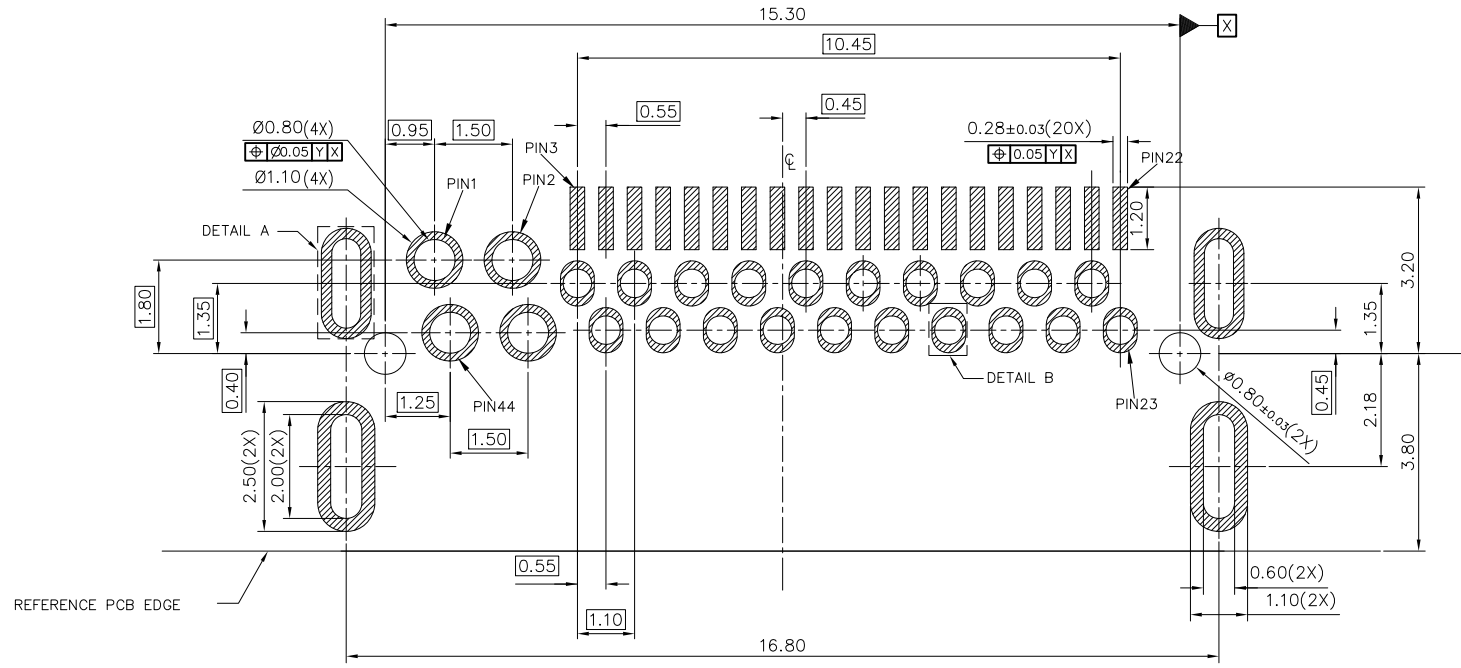
- MATERIAL: SEE TABLE.
- ELECTRICAL PERFORMANCES:
 - VOLTAGE RATING: 25V DC MAX.
 - CURRENT RATING: 3A MAX PER POWER CONTACT
1.5A MAX PER SIGNAL CONTACT
 - LOW LEVEL CONTACT RESISTANCE:
 - POWER CONTACT 30 mΩ MAX. INITIAL, ΔR=30mΩ MAX, FINAL.
 - SIGNAL CONTACT 70 mΩ MAX. INITIAL, ΔR=30mΩ MAX, FINAL.
 - INSULATION RESISTANCE: 500 MΩ MIN.
 - DIELECTRIC WITHSTANDING VOLTAGE: SUBJECT A VOLTAGE OF 100V AC FOR 1 MINUTE BETWEEN ADJACENT CONTACTS;
- MECHANICAL PERFORMANCES:
 - MATING FORCE: 1.0Kgf MAX.
 - UNMATING FORCE: 0.3Kgf Min..
 - DURABILITY: 10000 CYCLES.
- G.P PASSED ACCORD WITH RoHS STANDARD.
- THE TOLERANCE FOR ALL TAIL WIDTH IS ±0.05mm AND THICKNESS IS ±0.02mm.
- CONTACT SEQUENCE:
GROUND → SIGNAL → POWER.



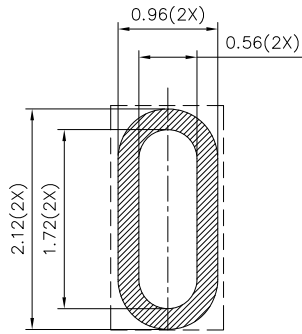
⑥	BRACKET	STAINLESS STEEL	SOLDERABLE NICKEL PLATING OVER ALL.	
⑤	SHELL	STAINLESS STEEL	SOLDERABLE NICKEL PLATING OVER ALL.	
④	POWER CONTACT	COPPER ALLOY	GOLD PLATING ON CONTACT AREA, MATTE TIN PLATING ON SOLDER AREA FOR T/H TAIL, GOLD FLASH ON SOLDER AREA FOR SMT TAIL, NICKEL UNDER PLATED OVER ALL.	
③	SIGNAL CONTACT			
②	SPACER	HIGHTEMP-PLASTIC	COLOR:BLACK UL94V-0	
①	HOUSING			

ITEM	MATERIAL	FINISH	REMARK
UNITS: mm	GENERAL TOLERANCE	APPROVED: Fan Fang	PART NO.: DK11226-E22A1-1H
DATE: 11/16/15	X. ±0.50 .X ±0.30 1:1 .XX ±0.20	CHECKED: Mike Wu	TITLE: CUSTOMER DRAWING
SHEET: 1/3	MATERIAL: Q'TY	DRAWING: Carey Wang	DRAWING NO.: 820-0000-0294
REV. C	FINISH:	 Highstar Drapho ELECTRONICS TECHNOLOGY CO., LTD	

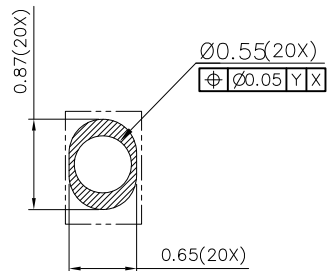
REV.	ECN. NO.	APPD.



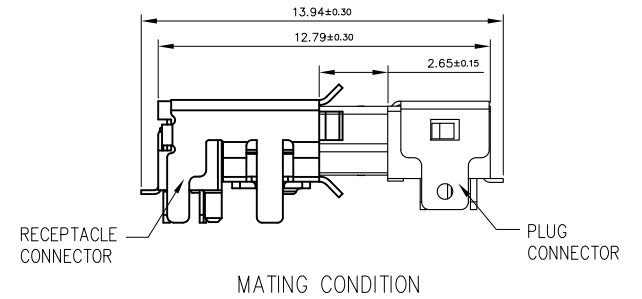
REFERENCE FOR PCB LAYOUT
CASE OF PCB THICKNESS 1.0±0.05mm



DETAIL A



DETAIL B

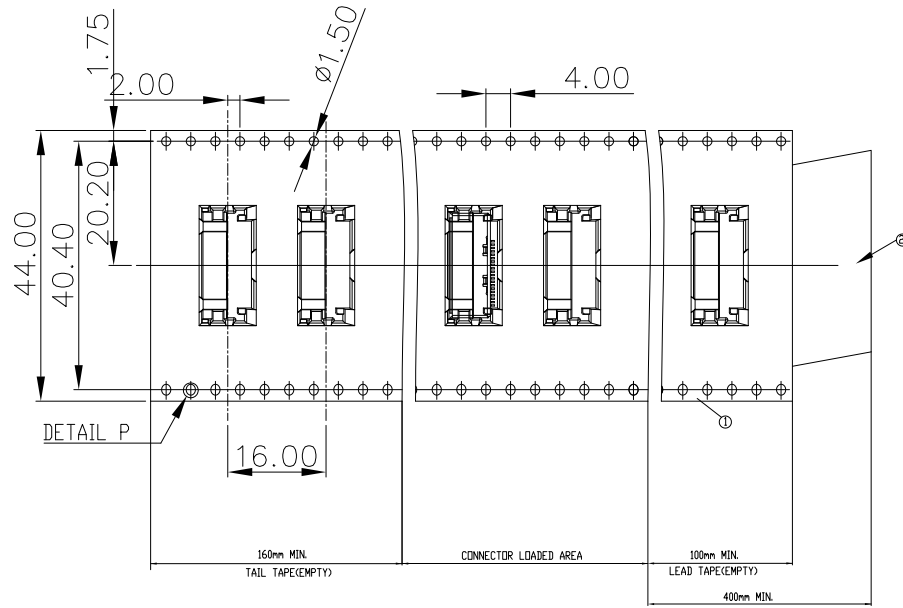


MATING CONDITION

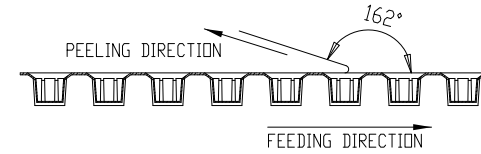


UNITS: mm	GENERAL TOLERANCE	APPROVED: Fan Fang	PART NO.: DK11226-E22A1-1H
DATE: 11/16/15	X. ±0.20 .X ±0.10 .XX ±0.05	X.* ±2* .X* ±1*	TITLE: CUSTOMER DRAWING
SCALE: 2:1		DRAWING: Carey Wang	DRAWING NO.: 820-0000-0294
SHEET: 2/3	MATERIAL:	Q'TY	Highstar Draphe ELECTRONICS TECHNOLOGY CO., LTD
REV. C	FINISH:		

REV.	ECN. NO.	APPD.

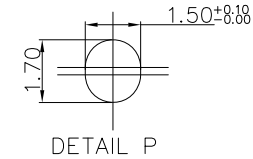
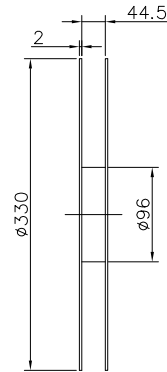
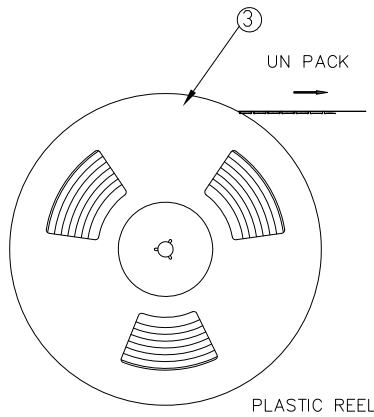


- NOTES:
 1.10 PITCHES CUMULATIVES TOLERANCE ON TAPE IS $\pm 0.20\text{mm}$;
 2.COVER TAPE PEELING STRENGTH : 0.13Kgf MAX. AT 300mm/MINUTE;



3.PACKAGING CAPACITY:

P/N	PCS/REEL	REEL/BOX	PCS/BOX
DK11226-E22A1-1H	500	3	1500



③	REEL	POLYSTYRENE
②	COVER TAPE	POLYSTER
①	CARRIER TAPE	POLYSTYRENE
ITEM	DESCRIPTION	MATERIAL

UNITS: mm	GENERAL TOLERANCE		APPROVED: Fan Fang	PART NO.: DK11226-E22A1-1H
DATE: 11/16/15	X. ±0.50 .X ±0.30 SCALE: 2:1	X.* ±5* .X* ±3* .XX ±0.20 .XX* ±2*	CHECKED: Mike Wu	TITLE: CUSTOMER DRAWING
SHEET: 3/3	MATERIAL:	Q'TY	DRAWING NO.: Carey Wang	DRAWING NO.: 820-0000-0294
REV. C	FINISH:		Highstar Drapho ELECTRONICS TECHNOLOGY CO., LTD	

