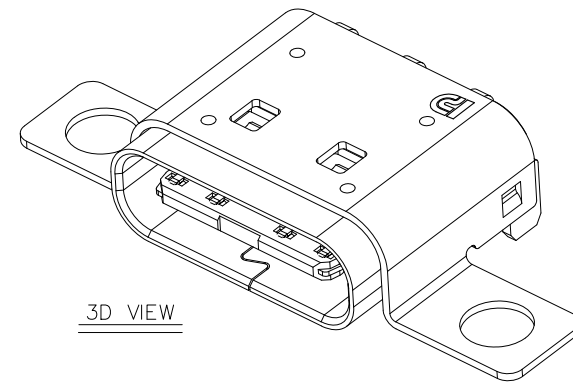
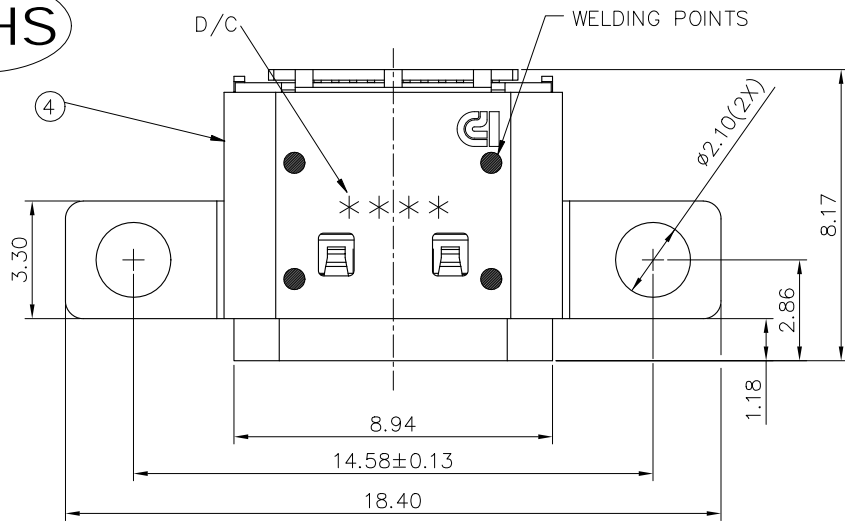


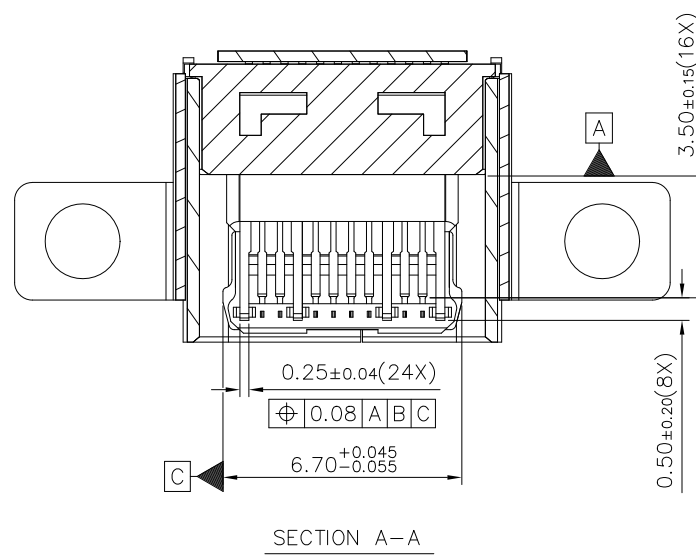
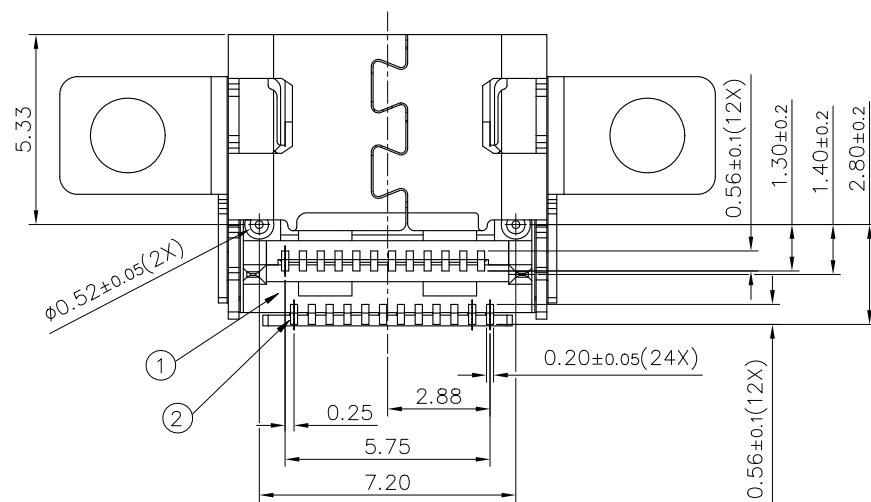
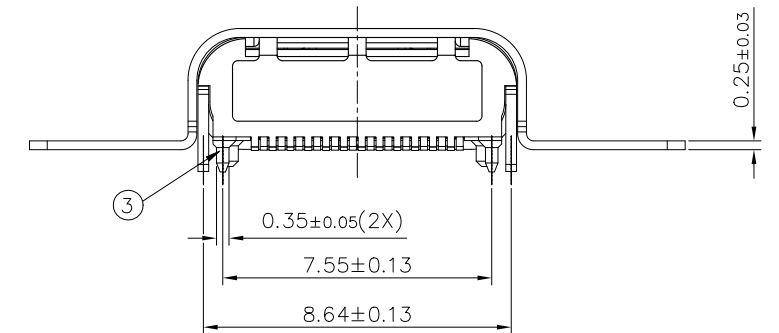
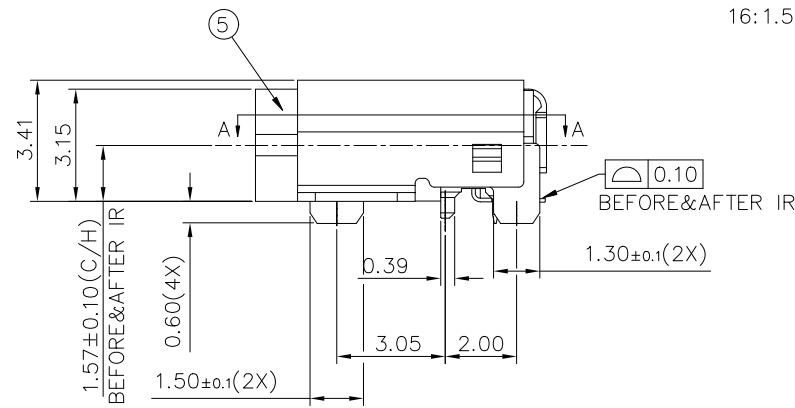
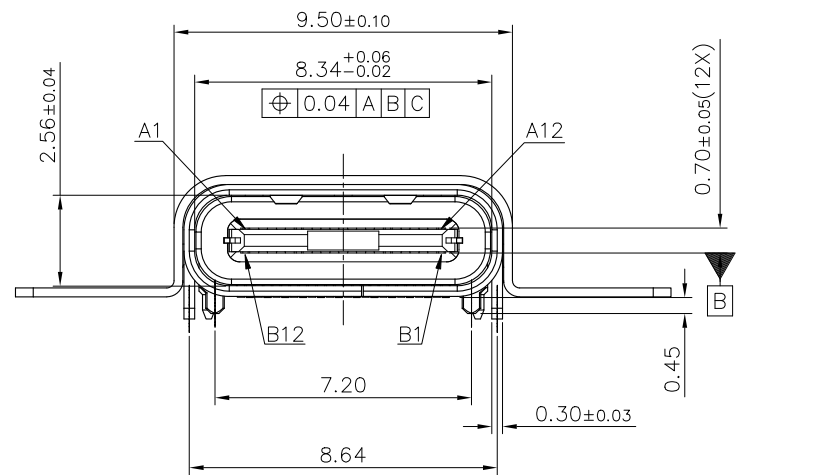
REV.	ECN. NO.	APPD.
A	ECN201111006	Mike Wu

HF
RoHS



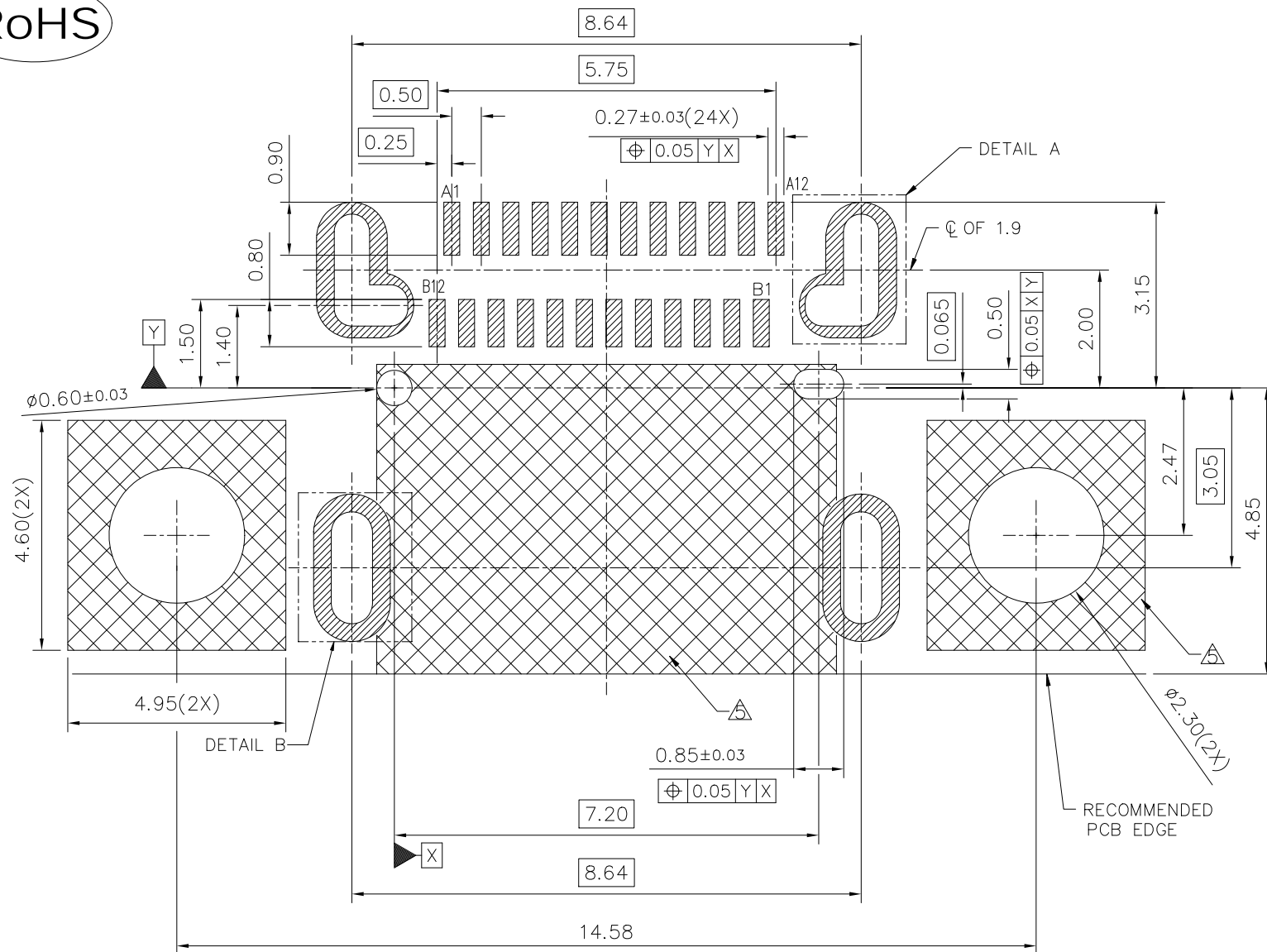
- 1: RIGHT ANGLE TYPE
1: RECEPTACLE
24: 24POS
- CONTACT PLATING:
6: 5u" GOLD PLATING ON CONTACT AREA
9: 30u" GOLD PLATING ON CONTACT AREA
- H: HALOGEN FREE & LEAD FREE
PACKAGE CODE
1: CARRIER TAPE
W: WITH BRACKET, SCREW TYPE, BLACK NICKEL
H: WITH BRACKET, SCREW TYPE, BRIGHT NICKEL
O: COLOR: BLACK
O: SMT TYPE
CENTER HEIGHT
16: 1.57mm

- NOTES:
1. MATERIAL: SEE TABLE.
2. ELECTRICAL PERFORMANCES:
2-1. VOLTAGE RATING: 20V DC MAX.
2-2. CURRENT RATING:
VBUS AND GND AT RATED OF 1.25A, PARALLELED FOR A TOTAL OF 5A.
2-3. LOW LEVEL CONTACT RESISTANCE:
40mΩ MAX. FOR VBUS, GND AND OTHER CONTACTS, 50mΩ MAX. FINAL AFTER TEST.
2-4. INSULATION RESISTANCE: 500 MΩ MIN.
2-5. DIELECTRIC WITHSTANDING VOLTAGE:
SUBJECT A VOLTAGE OF 100V AC FOR 1 MINUTE BETWEEN ADJACENT CONTACTS;
3. MECHANICAL PERFORMANCES:
3-1. MATING FORCE: 0.5~2.0Kgf.
3-2. UNMATING FORCE: 0.8~2.0Kgf INITIAL, 0.6~2Kgf FINAL.
3-3. DURABILITY: 10000 CYCLES.
4. G.P PASSED ACCORD WITH RoHS STANDARD.
⚠ NO PCB ROUTING ALLOWED IN THIS AREA.

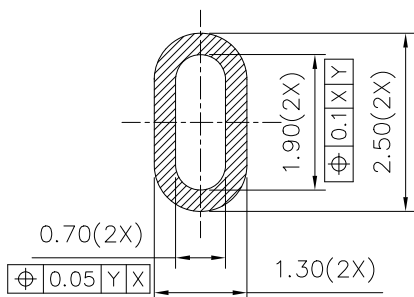


⑤	SHELL		NICKEL PLATING OVER ALL.	
④	BRACKET	STAINLESS STEEL	NICKEL PLATING OVER ALL.	
③	GND BLADE		NICKEL PLATING OVER ALL.	
②	SIGNAL CONTACT	COPPER ALLOY	GOLD PLATING ON CONTACT AREA, GOLD FLASH ON SOLDER AREA NICKEL UNDER PLATED OVER ALL.	
①	I/M1	HIGHTEMP-PLASTIC	UL94V-0; COLOR:BLACK	
ITEM	NAME	MATERAIL	FINISH	REMARK
UNITS: mm	GENERAL TOLERANCE		APPROVED: Mike Wu	PART NO.: UB1124*-1600*-1H
DATE: 11/16/20	X. ±0.20	X.* ±5°	CHECKED: Stone Chen	TITLE: CUSTOMER DRAWING FOR USB TYPE C CH1.57MM REC CONN
SCALE: N/A	.X ±0.15	.X* ±3°	DRAWING: Bo Liu	DRAWING NO.: 820-0001-0417
SHEET: 1/3	MATERIAL: N/A	Q'TY: N/A	Highstar Drapho ELECTRONICS TECHNOLOGY CO., LTD	
REV. A	FINISH: N/A			

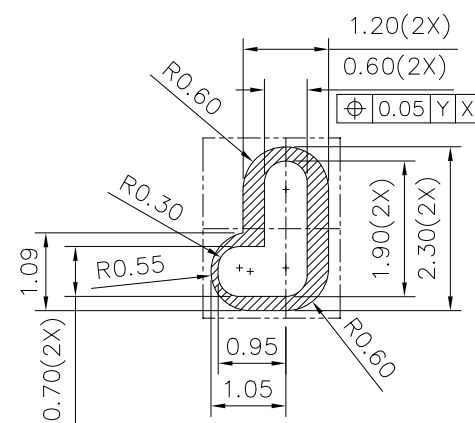
HF
RoHS



RECOMMENDED PCB LAYOUT
PCB THICKNESS 1.0±0.05mm



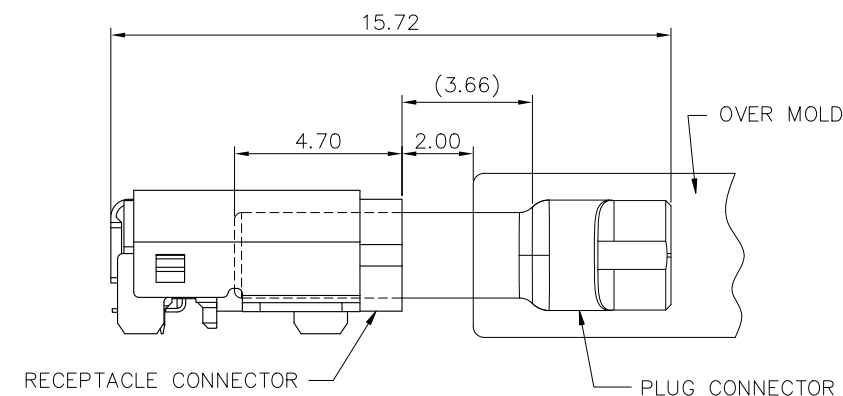
DETAIL B



DETAIL A

Pin	Signal	Description	Mating Sequence	Description	Signal	Pin
A1	GND (20V 5A)	Ground return	First	Ground return	Power GND (5A)	B12
A2	SSTXp1	Positive half of first SuperSpeed TX differential pair	Second	Positive half of first SuperSpeed RX differential pair	SSRXp1	B11
A3	SSTXn1	Negative half of first SuperSpeed TX differential pair	Second	Negative half of first SuperSpeed RX differential pair	SSRXn1	B10
A4	VBUS	Bus Power	First	Bus Power	VBUS	B9
A5	CC1	Configuration Channel	Second	Sideband Use(SBU)	SBU2	B8
A6	Dp1	Positive half of the USB2.0 differential pair-Position 1	Second	Negative half of the USB2.0 differential pair-Position 2	Dn2	B7
A7	Dn1	Negative half of the USB2.0 differential pair-Position 1	Second	Positive half of the USB2.0 differential pair-Position 2	Dp2	B6
A8	SBU1	Sideband Use(SBU)	Second	Configuration Channel	CC2	B5
A9	VBUS	Bus Power	First	Bus Power	VBUS	B4
A10	SSRXn2	Negative half of second SuperSpeed RX differential pair	Second	Negative half of second SuperSpeed TX differential pair	SSTXn2	B3
A11	SSRXp2	Positive half of second SuperSpeed RX differential pair	Second	Positive half of second SuperSpeed TX differential pair	SSTXp2	B2
A12	GND	Ground return	First	Ground return	GND	B1

PIN ASSIGNMENT



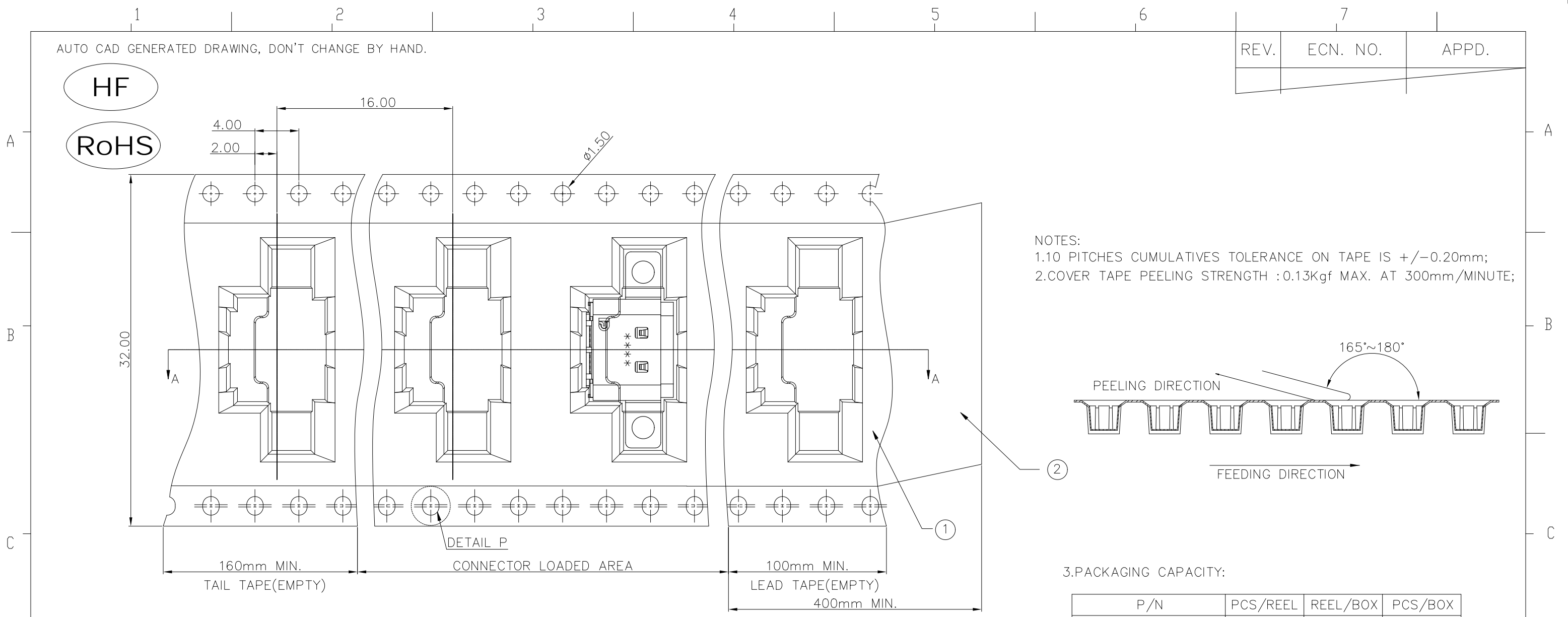
MATING CONDITION

UNITS: mm	GENERAL TOLERANCE	APPROVED: Mike Wu	PART NO.: UB1124*-1600*-1H
DATE: 11/16/20	X. ±0.20 .X ±0.10 SCALE: N/A	CHECKED: Stone Chen	TITLE: CUSTOMER DRAWING FOR USB TYPE C CH1.57MM REC CONN
SHEET: 2/3	.XX ±0.05	DRAWING: Bo Liu	DRAWING NO.: 820-0001-0417
REV. A	MATERIAL: N/A FINISH: N/A	Q'TY N/A	Highstar Drapho ELECTRONICS TECHNOLOGY CO., LTD

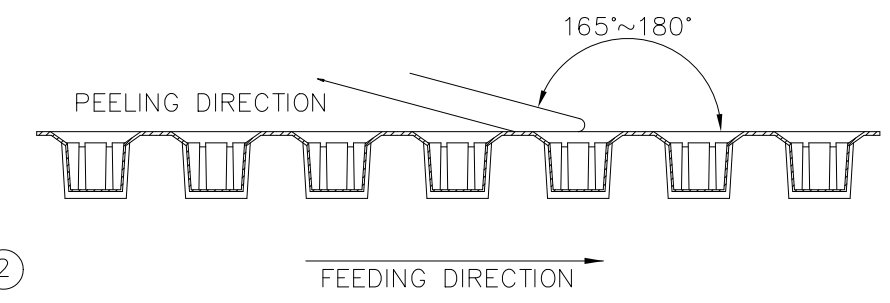
AUTO CAD GENERATED DRAWING, DON'T CHANGE BY HAND.

REV.	ECN. NO.	APPD.

HF
RoHS

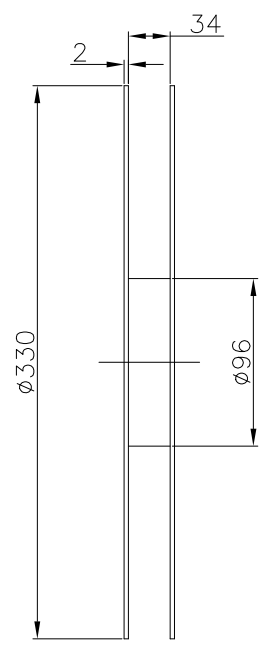
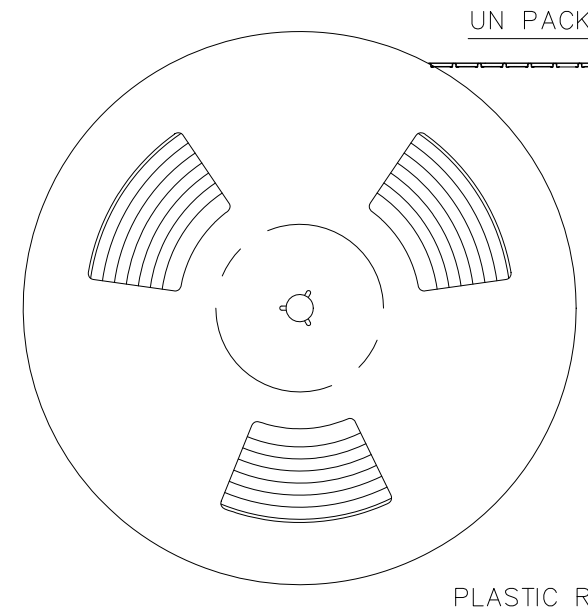
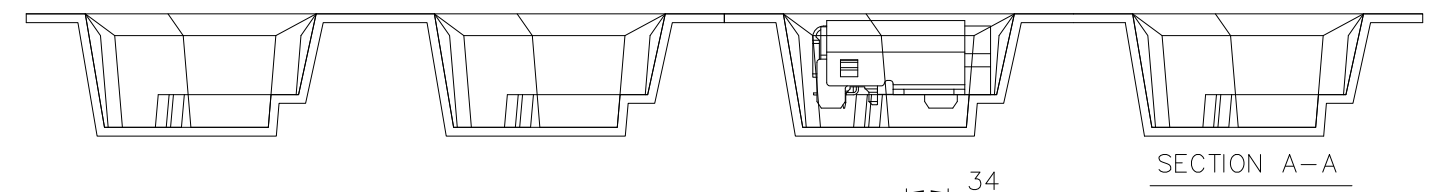


NOTES:
1.10 PITCHES CUMULATIVES TOLERANCE ON TAPE IS +/-0.20mm;
2.COVER TAPE PEELING STRENGTH :0.13Kgf MAX. AT 300mm/MINUTE;



3.PACKAGING CAPACITY:

P/N	PCS/REEL	REEL/BOX	PCS/BOX
UB1124*-1600*-1H	700	5	3500



③	REEL	POLYSTYRENE
②	COVER TAPE	POLYSTER
①	CARRIER TAPE	POLYSTYRENE
ITEM	DESCRIPTION	MATERIAL

UNITS: mm	GENERAL TOLERANCE		APPROVED: Mike Wu	PART NO. UB1124*-1600*-1H
DATE: 11/16/20	X. :±0.50 .X :±0.30 .XX :±0.20 .XXX	X.* :±2° .X* :±1° .XX* .XXX*	CHECKED: Stone Chen	TITLE: CUSTOMER DRAWING FOR USB TYPE C CH1.57MM REC CONN
SCALE: N/A	MATERIAL: N/A	Q'TY N/A	DRAWING: Bo Liu	DRAWING NO.: 820-0001-0417
SHEET: 3/3	FINISH: N/A	④	Highstar	
REV.: A	Drapho ELECTRONICS TECHNOLOGY CO., LTD			