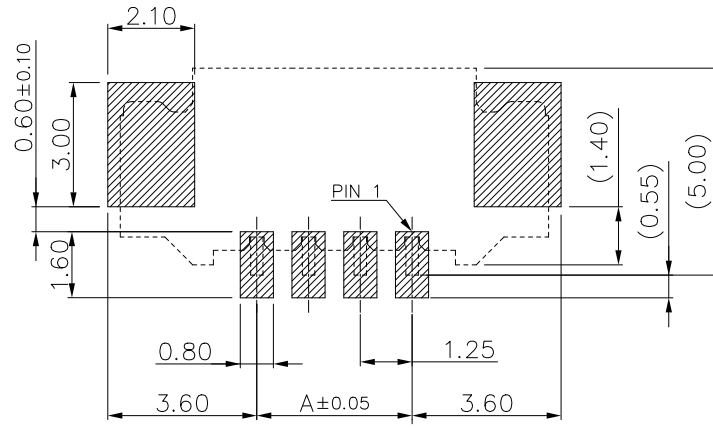
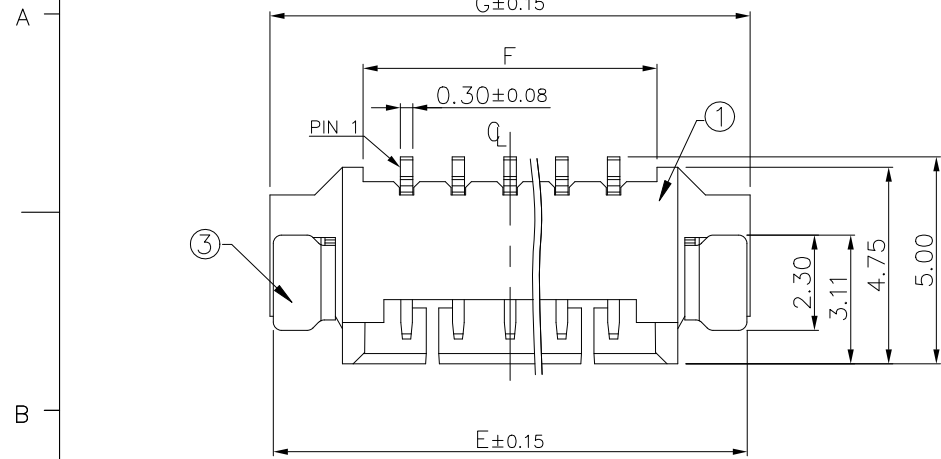


AUTOCAD GENERATED DRAWING,DON'T CHANGE BY HAND

RoHS

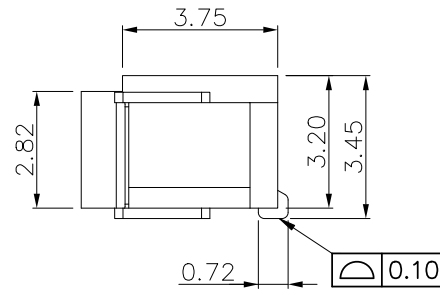
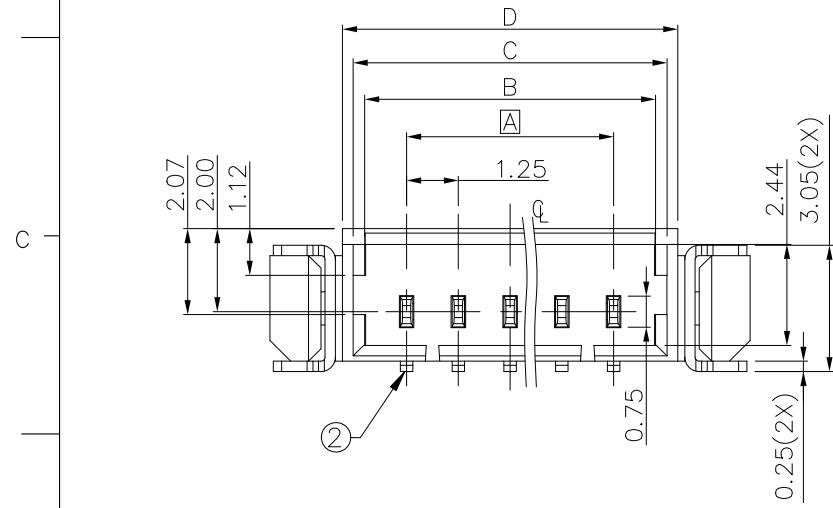
HF

REV.	ECN. NO.	APPD.
A	ECN120428002	Tommy Zhang
B	ECN121115002	Tommy Zhang
C	ECN130314002	Tommy Zhang
D	ECN130817002	Tommy Zhang
E	ECN131010002	Fan Fang
F	ECN160628018	Fan Fang
G	ECN161028028	Fan Fang
H	ECN210827016	Mike Wu
HX1	ECN211022132	Mike Wu

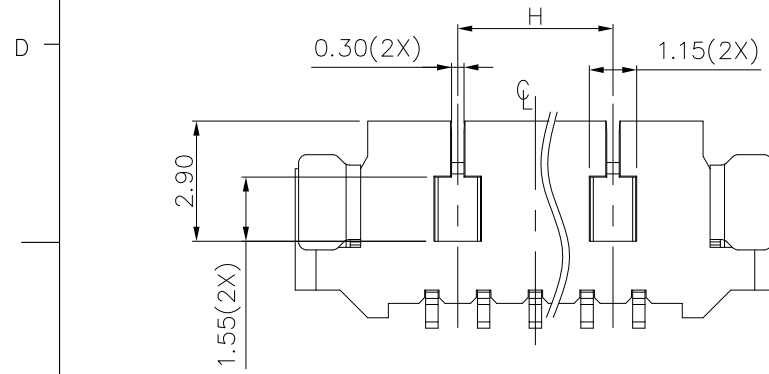


- NOTES:
- 1.DIMENSION SHALL BE INTERPRETED PER ASME Y14.5M-1994.
 - 2.ELECTRICAL PERFORMANCES:
 - 2-1.CONTACT RESISTANCE: 45mΩ MAX.(FINAL).
 - 2-2.INSULATION RESISTANCE: 1000MΩ MIN.(INITIAL),100MΩ MIN.(FINAL),
 - 2-3.DIELECTRIC WITHSTANDING VOLTAGE:FOR 1 MINUTE BETWEEN ADJACENT CONTACTS PER SUBJECT A VOLTAGE OF 500V AC
 - 3.MECHANICAL PERFORMANCES:
 - 3-1.MATING FORCE:1 KGF/PIN MAX.
 - 3-2.UNMATING FORCE:0.1KGF/PIN MIN.
 - 3-3.DURABILITY: 25 CYCLES.
 4. HARMFUL MATERIAL CONTROL SHOULD MEET DOCUMENT "DQSP2014".

RECOMMENDED PCB LAYOUT
P.C.B THICKNESS= 1.2mm(TOLERANCE:±0.05)



PART NO.	A	B	C	D	E	F	G	H
WS3310*-S*351-HF	11.25	12.28	13.85	14.35	17.70	13.35	17.85	10.00
WS3309*-S*351-HF	10.00	12.03	12.60	13.10	16.45	12.10	16.60	8.75
WS3308*-S*351-HF	8.75	10.78	11.35	11.85	15.20	10.85	15.35	7.50
WS3307*-S*351-HF	7.50	9.53	10.10	10.60	13.95	9.60	14.10	6.25
WS3306*-S*351-HF	6.25	8.28	8.85	9.35	12.70	8.35	12.85	5.00
WS3305*-S*351-HF	5.00	7.03	7.60	8.10	11.45	7.10	11.60	3.75
WS3304*-S*351-HF	3.75	5.78	6.35	6.85	10.20	5.85	10.35	2.50
WS3303*-S*351-HF	2.50	4.53	5.10	5.60	8.95	4.60	9.10	/
WS3302*-S*351-HF	1.25	3.28	3.85	4.35	7.70	3.35	7.85	/



- PART LIST
- | | |
|---------------------|---------------------------|
| WS33***-S*351-HF | HALOGEN FREE & LEAD FREE |
| WTB CONN. | PACKAGE CODE |
| PITCH NO. 3=1.25 mm | PROFILE HEIGHT 35=3.45 mm |
| 3: RIGHT ANGEL TYPE | HOUSING COLOR |
| POS.NO.: | 0: WHITE |
| 02=2 PIN | 1: BLACK |
| 04=4 PIN | S: SOLDER TYPE |
| 05=5 PIN | CONTACT AREA PLATING |
| 06=6 PIN | 0: MATTE TIN PLATING |
| 07=7 PIN | 1: GOLD FLASH |

③	2	PAD	COPPER ALLOY	80u" MATTE TIN PLATING ON ALL AREA 50u" NICKEL UNDERPLATED ALL OVER
②	**	CONTACT	COPPER ALLOY	0.8u" GOLD PLATING ON ALL AREA, 50u" NICKEL UNDERPLATED ALL OVER 80u" MATTE TIN PLATING ON ALL AREA, 50u" NICKEL UNDERPLATED ALL OVER
①	1	HOUSING	TEMLASTIC	UL94V-0
ITEM NO.	Q'TY	NAME	MATERAIL	FINISH
UNITS: mm	GENERAL TOLERANCE		APPROVE: Mike Wu	PART NO.(INTENDED USE) WS33***-S*351-HF
DATE: 10/22'21	X. ±0.30 .X ±0.20	X.* ±5.00° .X* ±3.00°	CHECKED: Mike Wu	TITLE:CUSTOMER DRAWING FOR WTB HEADER SMT R/A CONN.
SCALE: N/A	.XX ±0.15	.XX* ±2.00°	DRAW: Adam Zhu	DRAWING NO.: 820-0000-029
SHEET: 1/2	MATERIAL: SEE TABLE	Q'TY N/A	<p>Highstar Drapho ELECTRONICS TECHNOLOGY CO., LTD</p>	
REV.: HX1	FINISH: SEE TABLE	⊕		