

RoHS HF

REV.	ECN. NO.	APPD.
A	ECN14123016	Fan Fang
B	ECN150701008	Fan Fang
C	ECN171219015	Darren Lei
D	ECN191205010	Mike Wu

NOTES:

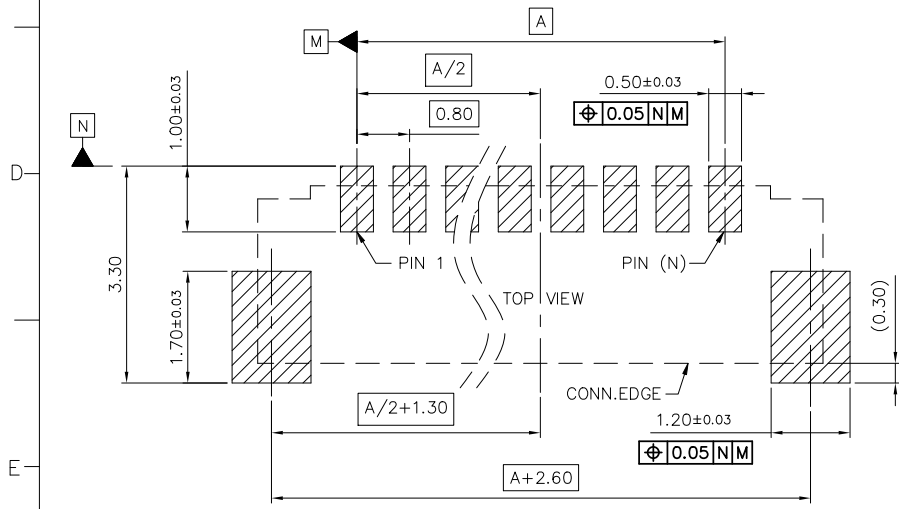
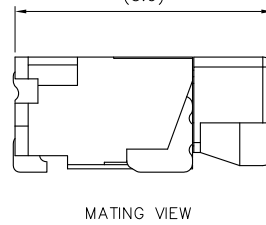
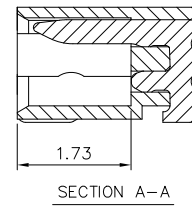
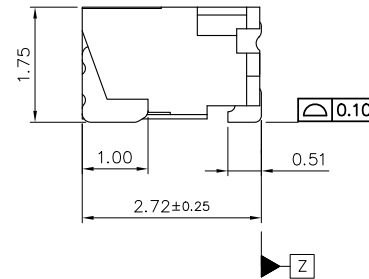
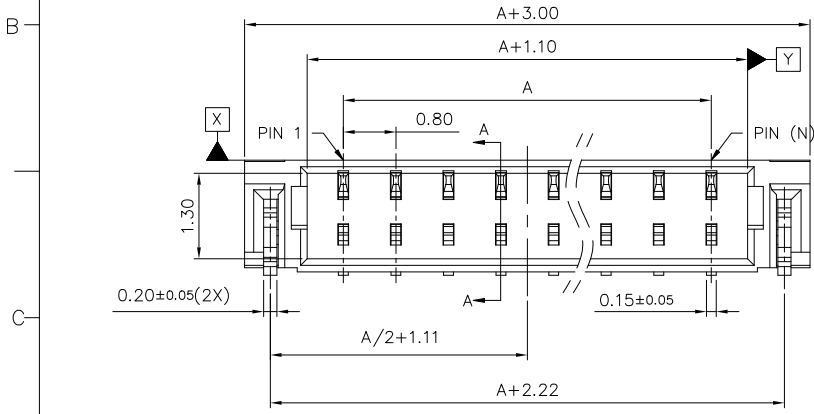
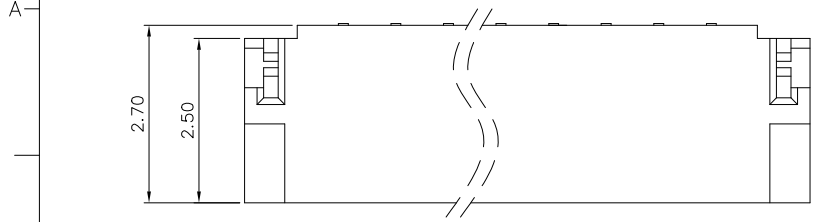
- 1.DIMENSION SHALL BE INTERPRETED PER ASME Y14.5M-1994.
- 2.ELECTRICAL CHARACTERISTICS
 - 2.1 RATED CURRENT:1.0A MAX. PER PIN;
 - 2.2 CONTACT RESISTANCE:45 mOHMS MAX.;
 - 2.3 INSULATION RESISTANCE: 100 MOHMS MIN.;
 - 2.4 WITHSTANDING VOLTAGE: 500 VAC FOR 1 MINUTE MIN.;
- 3.MECHANICAL CHARACTERISTICS
 - 3.1 DURABILITY:25 CYCLES
 - 3.2 VIBRATION:PASSED MIL-STD-202F,METHOD 201.
 - 3.3 SHOCK:PASSED EIA-364-27-H.
- 4.ENVIRONMENT CHARACTERISTICS

OPERATION TEMPERATURE RANGE:-40°C TO +85°C .
- 5.HARMFUL MATERIAL CONTROL MEET DSQC0042.
6. G.P PASSED ACCORD WITH ROHS STANDARD.

CHLORINE(Cl):900ppm MAX.
 BROMINE(Br):900ppm MAX.
 BROMINE(Br)+CHLORINE(Cl):1500ppm MAX.

PART LIST

WS83***-S0171-HF	LEAD FREE&HALOGEN FREE
WTB CONN.	PACKAGE TYPE
8:0.8mm PITCH	1:TAPE AND REEL
POS.NO.	PROFILE HEIGHT
03:3 POS.	17:1.75mH
...	S: SOLDER TYPE
...	CONTACT AREA PLATING
20:20 POS.	0: MATTE TIN PLATING
	1: 1u"MIN.GOLD PLATING
	5: 5u"MIN.GOLD PLATING



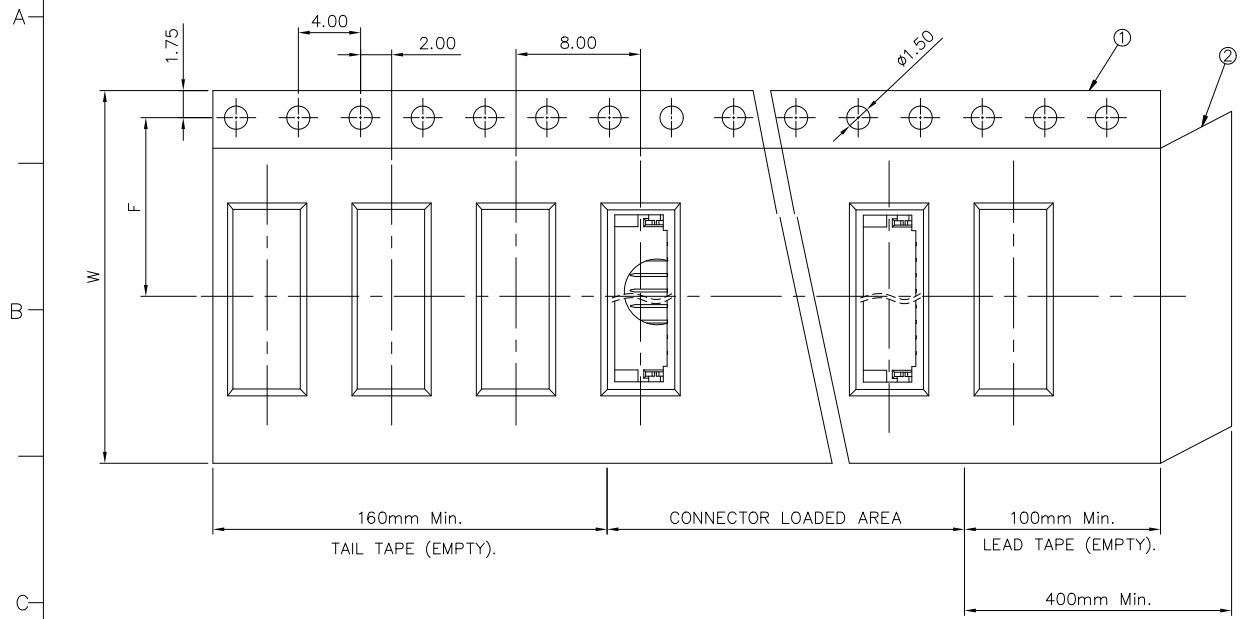
RECOMMENDED PCB LAYOUT
TOLERANCE: +/-0.05

P/N	A	P/N	A
WS8302*-S0171-HF	0.80	WS8312*-S0171-HF	8.80
WS8303*-S0171-HF	1.60	WS8313*-S0171-HF	9.60
WS8304*-S0171-HF	2.40	WS8314*-S0171-HF	10.40
WS8305*-S0171-HF	3.20	WS8315*-S0171-HF	11.20
WS8306*-S0171-HF	4.00	WS8316*-S0171-HF	12.00
WS8307*-S0171-HF	4.80	WS8317*-S0171-HF	12.80
WS8308*-S0171-HF	5.60	WS8318*-S0171-HF	13.60
WS8309*-S0171-HF	6.40	WS8319*-S0171-HF	14.40
WS8310*-S0171-HF	7.20	WS8320*-S0171-HF	15.20
WS8311*-S0171-HF	8.00		

③	PAD	2	COPPER ALLOY	50u" MIN.NICKEL UNDER PLATING; 1u"MIN.GOLD PLATING ON ALL AREA.	WS83**1-S0171-HF
				50u" MIN.NICKEL UNDER PLATING; 80u" MIN.MATTE TIN PLATING ON ALL AREA.	WS83**0-S0171-HF
②	CONTACT	**	COPPER ALLOY	50u" MIN.NICKEL UNDER PLATING; 1u"MIN.GOLD PLATING ON ALL AREA.	WS83**1-S0171-HF
				50u" MIN.NICKEL UNDER PLATING; 80u" MIN.MATTE TIN PLATING ON ALL AREA.	WS83**0-S0171-HF
①	HOUSING	1	HIGHTEMP-PLASTIC	UL94 V-0;BLACK	PART NO.

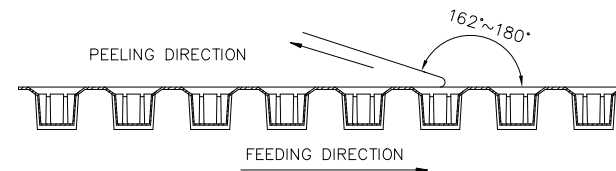
UNITS: mm	GENERAL TOLERANCE	APPROVED: Mike Wu	PART NO.: WS83***-S0171-HF
DATE: 12/05'19	X. ±0.50 .X ±0.30 .XX ±0.20	CHECKED: Mike Wu	TITLE: CUSTOMER DRAWING FOR 0.8PH 1.75mmH WTB BOARD SIDE CONN.
SCALE: N/A		DRAWING: Adam Zhu	DRAWING NO.: 820-0000-0121
SHEET: 1/3	MATERIAL: N/A		Highstar
REV. D	FINISH: N/A	D Drapho ELECTRONICS TECHNOLOGY CO., LTD	

RoHS HF



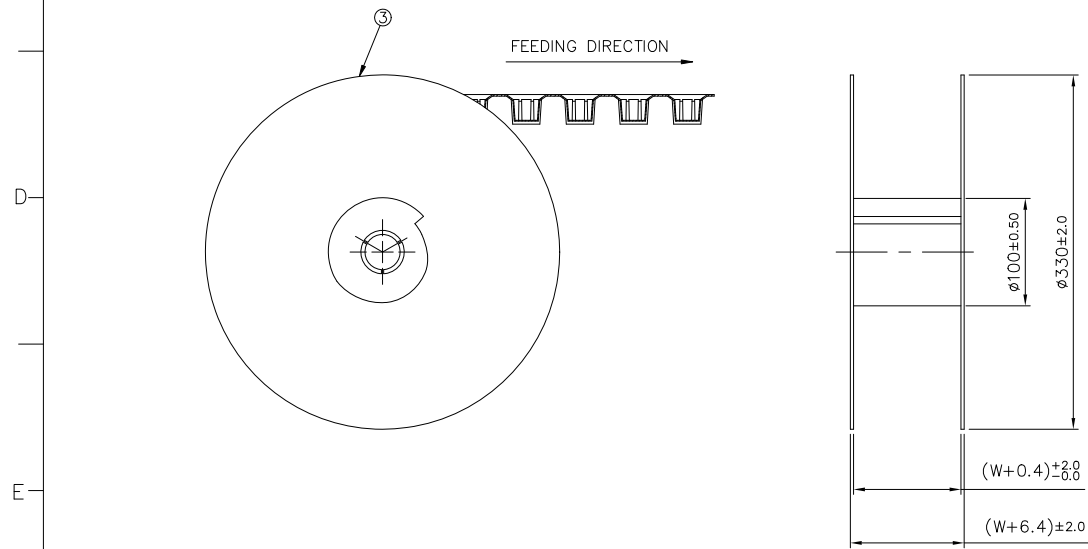
NOTES:

1. 10 PITCHES CUMULATIVE TOLERANCE ON TAPE $\pm 0.20\text{mm}$.
2. COVER TAPE PEELING STRENGTH: 0.13kgf MAX AT 300mm/MINUTE.



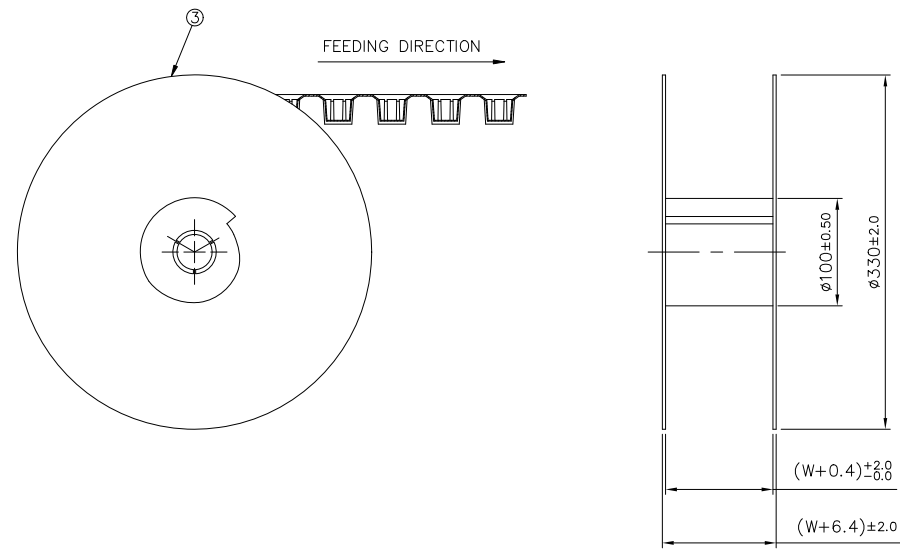
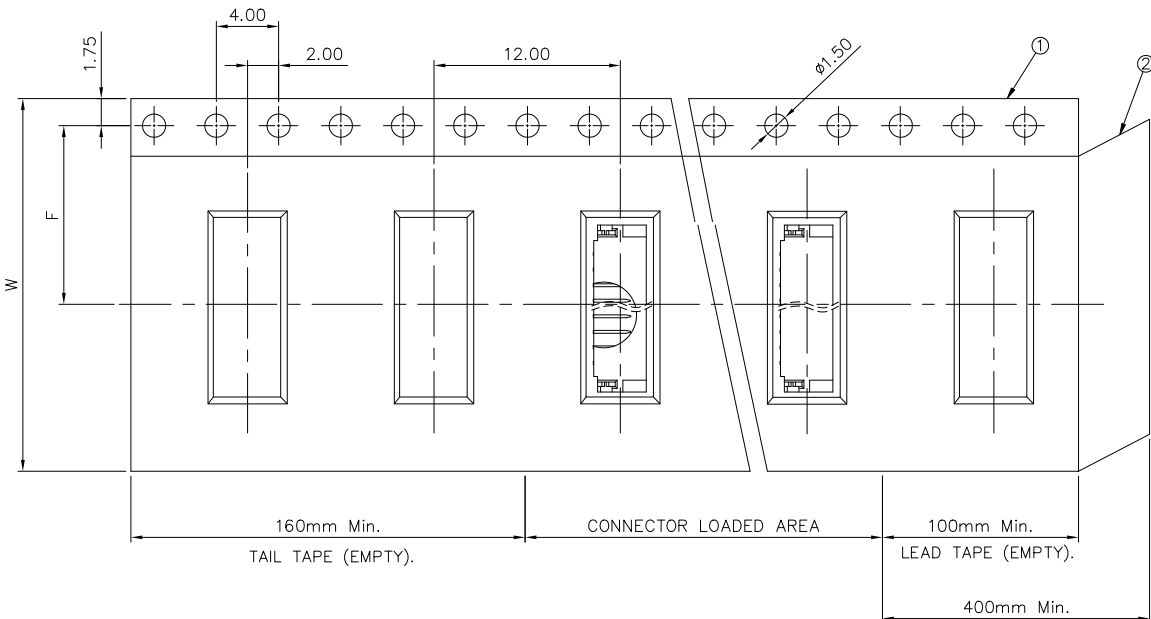
3. PACKING CAPACITY:

P/N	W ± 0.3	F	Q'TY/REEL	REEL/BOX	PCS/BOX
WS8302*-S0171-HF	16	7.50	3500	9	31500



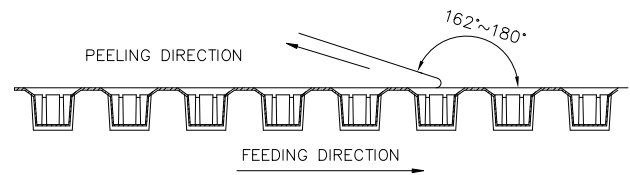
③	CARRIER TAPE	POLYSTYRENE	
②	COVER TAPE	POLYSTER	
①	REEL	POLYSTYRENE	
ITEM	DESCRIPTION	MATERIAL	
UNITS: mm	GENERAL TOLERANCE	APPROVED: Mike Wu	PART NO.: WS83***-S0171-HF
DATE: 12/05'19	X. ± 0.50 .X ± 0.30 SCALE: .XX ± 0.20 N/A	X.* ± 3 * .X* ± 2 *	CHECKED: Mike Wu DRAWING: Adam Zhu
SHEET: 2/3	MATERIAL: N/A	Q'TY: N/A	TITLE: CUSTOMER DRAWING FOR 0.8PH 1.75mmH WTB BOARD SIDE CONN. DRAWING NO.: 820-0000-0121
REV: D	FINISH: N/A	④	Highstar Drapho ELECTRONICS TECHNOLOGY CO., LTD

RoHS HF



NOTES:

1. 10 PITCHES CUMULATIVE TOLERANCE ON TAPE ±0.20mm.
2. COVER TAPE PEELING STRENGTH: 0.13kgf MAX AT 300mm/MINUTE.



3. PACKING CAPACITY:

P/N	W±0.3	F±0.15	Q'TY/REEL	REEL/BOX	PCS/BOX
WS8303*-S0171-HF	16.00	7.50	2500	9	22500
WS8304*-S0171-HF	16.00	7.50	2500	9	22500
WS8305*-S0171-HF	16.00	7.50	2500	9	22500
WS8306*-S0171-HF	16.00	7.50	2500	9	22500
WS8307*-S0171-HF	16.00	7.50	2500	9	22500
WS8308*-S0171-HF	16.00	7.50	2500	9	22500
WS8309*-S0171-HF	16.00	7.50	2500	9	22500
WS8310*-S0171-HF	24.00	11.50	2500	6	15000
WS8311*-S0171-HF	24.00	11.50	2500	6	15000
WS8312*-S0171-HF	24.00	11.50	2500	6	15000
WS8313*-S0171-HF	24.00	11.50	2500	6	15000
WS8314*-S0171-HF	24.00	11.50	2500	6	15000
WS8315*-S0171-HF	24.00	11.50	2500	6	15000
WS8316*-S0171-HF	24.00	11.50	2500	6	15000
WS8317*-S0171-HF	24.00	11.50	2500	6	15000
WS8318*-S0171-HF	24.00	11.50	2500	6	15000
WS8319*-S0171-HF	32.00	14.20	2500	5	12500
WS8320*-S0171-HF	32.00	14.20	2500	5	12500

③	CARRIER TAPE	POLYSTYRENE
②	COVER TAPE	POLYSTER
①	REEL	POLYSTYRENE
ITEM	DESCRIPTION	MATERIAL
UNITS: mm	GENERAL TOLERANCE	APPROVED: Mike Wu
DATE: 12/05'19	X. ±0.50 .X ±0.30 .XX ±0.20	X.* ±3* .X* ±2*
SCALE: N/A		CHECKED: Mike Wu
SHEET: 3/3	MATERIAL: N/A	Q'TY: N/A
REV: D	FINISH: N/A	
		PART NO.: WS83***-S0171-HF
		TITLE: CUSTOMER DRAWING FOR 0.8PH 1.75mmH WTB BOARD SIDE CONN.
		DRAWING NO.: 820-0000-0121
		Highstar
		D Drapho ELECTRONICS TECHNOLOGY CO., LTD