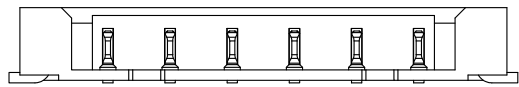
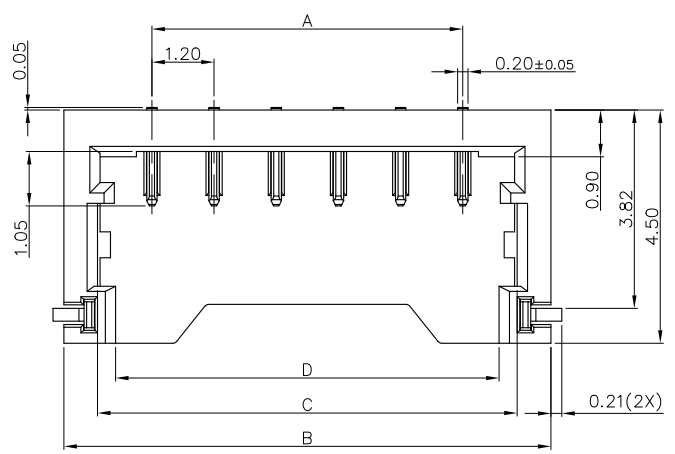
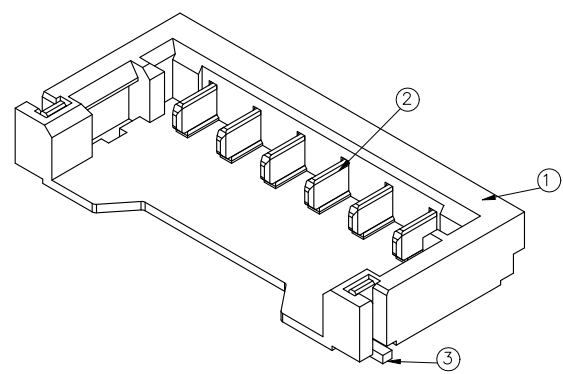
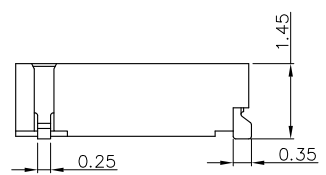


RoHS HF

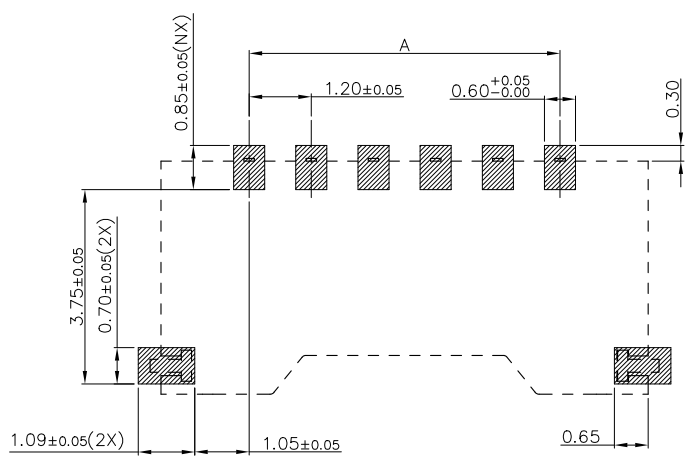
REV.	ECN NO.	APPD.
A	ECN210512007	Mike Wu



NOTES:  
 1.DIMENSION SHALL BE INTERPRETED PER ASME Y14.5M-1994.  
 2.ELECTRICAL CHARACTERISTICS  
 2.1 INSULATION RESISTANCE: 100 MOHMS MIN.;  
 2.2 WITHSTANDING VOLTAGE: 300 VAC FOR 1 MINUTE MIN.;  
 3.ENVIRONMENT CHARACTERISTICS OPERATION TEMPERATURE RANGE: -40°C TO +85°C .  
 4.PLEASE CONTACT DRAPHO SALES REPRESENTATIVE TO VERIFY PRODUCT DETAILS & AVAILABILITY.  
 5.HARMFUL MATERIAL CONTROL SHOULD MEET THE DOCUMENT "DSQC0042".



WS320\*1-S014C-1H  
 WTB CONN.  
 3:1.20mm PITCH  
 POS. NO.  
 2: 2POS  
 3: 3POS  
 4: 4POS  
 :  
 LEAD FREE&HALOGEN FREE  
 PROFILE HEIGHT  
 14:1.45mmH  
 SOLDER TYPE  
 CONTACT AREA PLATING  
 1: GOLD PLATING



RECOMMENDED PCB LAYOUT  
 TOLERANCE±0.05mm

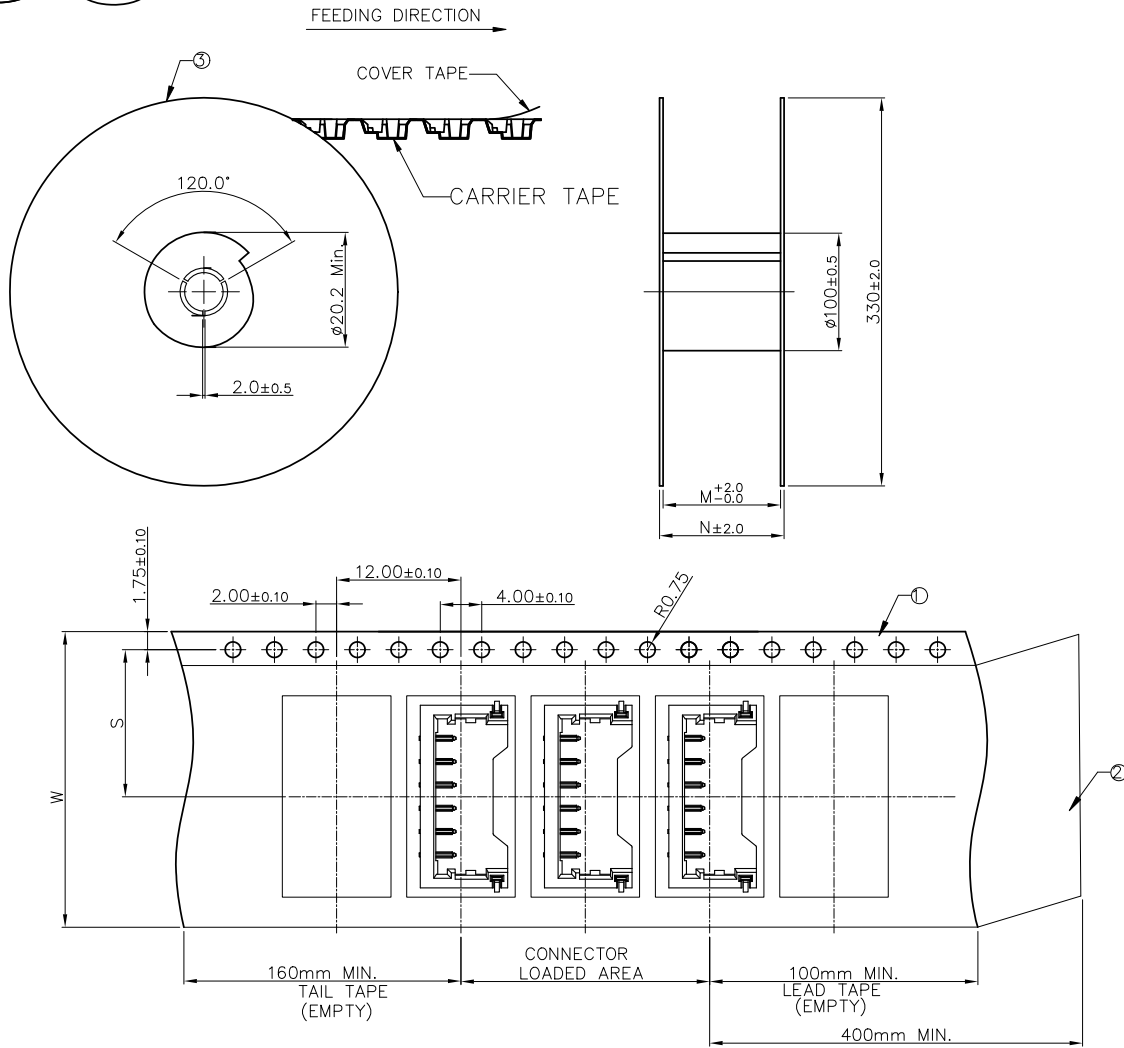
POS NO.	A	B	C	D
2 POS	1.2	4.6	3.3	2.6
3 POS	2.4	5.8	4.5	3.8
4 POS	3.6	7.0	5.7	5.0
5 POS	4.8	8.2	6.9	6.2
6 POS	6.0	9.4	8.1	7.4
8 POS	8.4	11.8	10.5	9.8

2	PAD	COPPER ALLOY	NICKEL UNDER PLATING; MATTE TIN PLATING ON SOLDER AREA.	③
*	CONTACT	COPPER ALLOY	50u" MIN. NICKEL UNDER PLATING ALL OVER, GOLD FLASH ON CONTACT & SOLDER AREA.	②
1	HOUSING	HIGHTEMP-PLASTIC	UL94V-0, BLACK	①
Q'TY	NAME	MATERAIL	REMARK	ITEM
UNITS: mm		GENERAL TOLERANCE		APPROVE: Mike Wu
DATE: 05/12'21		SCALE: N/A		CHECKED: Mike Wu
SHEET: 1/2		MATERIAL: SEE TABLE		PART NO.: WS320*1-S014C-1H
REV. A		FINISH: SEE TABLE		TITLE: CUSTOMER DRAWING
		Q'TY: N/A		DRAWING NO.: 820-0000-0936
		DRAWING: Adam Zhu		Highstar
 Drapho ELECTRONICS TECHNOLOGY CO., LTD				

RoHS

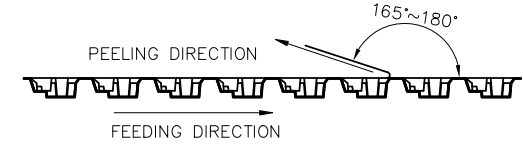
HF

REV.	ECN NO.	APPD.
------	---------	-------



NOTES:

- 1.10 PITCHES CUMULATIVES TOLERANCE ON TAPE IS +/-0.20mm;
- 2.COVER TAPE PEELING STRENGTH :0.13Kgf MAX. AT 300mm/MINUTE;



3.PACKAGING CAPACITY:

POS NO.	PCS/REEL	REEL/BOX	PCS/BOX	W	S	M	N
2POS	2000	9	18000	16.0	7.5	16.4	22.4
3~8POS	2000	6	12000	24.0	11.5	24.4	30.4

③	REEL	POLYSTYRENE
②	COVER TAPE	POLYSTER
①	CARRIER TAPE	POLYSTYRENE
ITEM	DESCRIPTION	MATERIAL

UNITS: mm	GENERAL TOLERANCE		APPROVE: Mike Wu	PART NO.:
DATE: 05/12'21	X. ±0.50	X.* ±2°	CHECKED: Mike Wu	WS320*1-S014C-1H
SCALE: N/A	.XX ±0.20	.X.* ±1°	DRAWING: Adam Zhu	TITLE: CUSTOMER DRAWING
SHEET: 2/2	MATERIAL: N/A	Q'TY N/A	DRAWING NO.:	
REV. A	FINISH: N/A	⊕	820-0000-0936	
			 Drapho ELECTRONICS TECHNOLOGY CO., LTD	

Highstar